



Alpaco

- Made to measure
- Special models:
 - For vertical openings
 - For flat roofs
- Automatic
- REI 60 fire-proof trap-door

R E T R A C T A B L E S T A I R C A S E S



SERIE LIGNA3

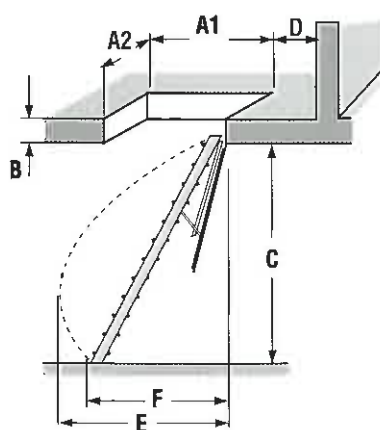
RETRACTABLE WOOD STAIRCASE



Staircase lock device **Ligna 3**

The **Ligna 3** retractable staircase comprises three sections, made of solid spruce protected by a basecoat and hinged together by galvanised steel brackets. Trap door opening and closing by control rod. Staircase extension is smooth and safe, thanks to the perfect balance of the spring and lever mechanism. The low height (24 cm) and convenient inclination of staircase steps make descent and ascent comfortable and safe. The sturdy handrail offers a secure handhold; the trap door is made from multi-laminar wood panel with basecoat, finished on all four sides by joint cover strips.

The standard dimensions of the opening supporting the staircase are: 120x70 cm (for off-floor clearances up to 270 cm), 130x70 cm (for clearances over 270 cm).



Staircase dimensions (staircase pitch 60°)

C	Staircase height	cm	250	270	290	310
	Room height	da - a	230-250	251-270	271-290	291-310
A1	Opening length	minim. cm	120	120	130	130
		standard cm	130	130	130	130
A2	Opening width cm (min. 70 cm)		independent of length and height 70-75-80-85-90-100			
B	Frame height		customer specifications (standard 20 cm)			
E	Extension clearance	cm	180	185	195	200
F	Stair foot rest point, approx.	cm	150	160	175	185

Accessories see on page 9 Ligna 3.



4

SERIE ALLUMIN

RETRACTABLE ALUMINIUM STAIRCASE



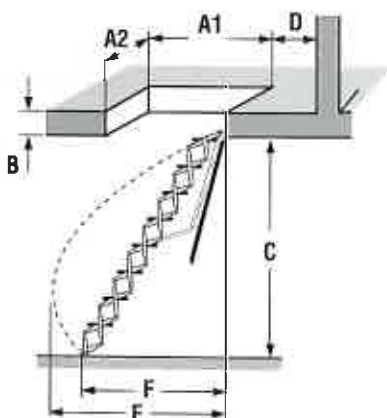
The **Allumin** retractable staircase is made from lightweight aluminium alloy sections, assembled according to the opening and closing principle of the pantograph. Allumins' structural stability and perfect balance are the guarantee of easy operation and safe use. The trap door is opened and closed by a control rod. The manoeuvre effort required for ladder extension is minimum (only 3 kg). The sturdy handrail offers a secure handhold; the trap door is made from multi-laminar wood panel with basecoat, finished on all four sides by joint cover strips.

The standard dimension of the opening supporting the staircase are: 90x70 cm, 100x70 cm, 120x70 cm, 130x70 cm (for off-floor clearances up to 300 cm).

Estfeller staircase all bear the distinctive trade mark.



Staircase dimensions (staircase pitch 65°)



C Room height	cm	260	270	280	290	300	310	320	330	340	350	360	380	400
Number of steps	no.	9	9	10	11	11	11	12	12	13	13	13	14	15
A1 Min. opening length	cm	80	80	90	90	90	100	110	110	120	120	130	130	140
E Extension clearance	cm	170	175	180	185	190	195	200	205	210	215	220	225	230
F Stair foot rest pont	cm	140	145	150	155	160	165	170	175	180	185	190	195	200
A2 Opening width (standard 70 cm)	cm	independent of length and height: 50 - 55 - 60 - 65 - 70 - 75 - 80 - 85 - 90 - 100												
Step width	cm	21 - 26 - 31 - 36 (48 cm on request 85 cm)												
B Frame width		to customer specifications (standard 20 cm)												
D Trap door opening		not required (except for version with handle for opening or closing from above); 100 cm recommended												

Allumin accessories see on page 9.

SERIE ALLUMIN

VERTICAL OPENING

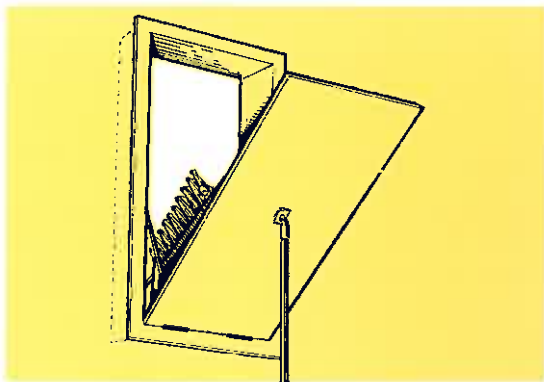
Allumin series staircase designed for reaching rooms with an elevated wall opening.

Overall dimensions are the same as those for other **Allumin** versions, though to ensure easy movement, an opening with a minimum height of 130 cm and width of 80 cm is recommended.

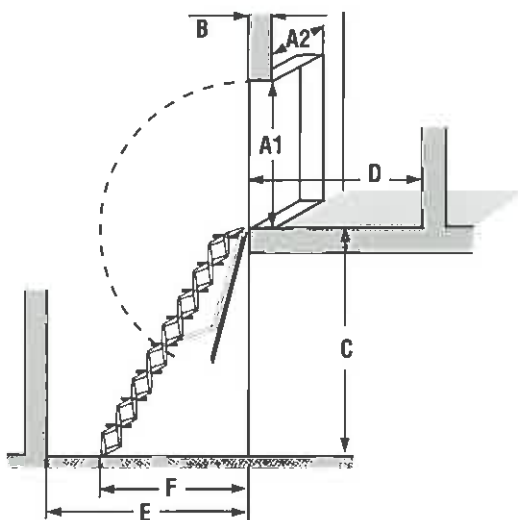
Maximum clearance from floor is 350 cm.



6



Trap door opening by control rod.



Staircase dimensions

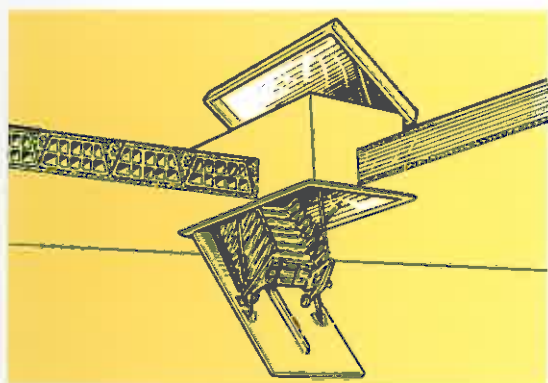
C Room height	cm	260	270	280	290	300	310	320	330	340	350
Number of steps	n.	9	9	10	11	11	11	12	12	13	13
A1 Min. opening length	cm	80	80	90	90	90	100	110	110	120	120
E Extension clearance	cm	170	175	180	185	190	195	200	205	210	215
F Stair foot rest point	cm	140	145	150	155	160	165	170	175	180	185
A2 Opening width (standard 70 cm)	cm	independent of length and height 60 - 65 - 70 - 75 - 80 - 85 - 90 - 100									
Step width	cm	21 - 26 - 31 - 36 (48 cm on request 85 cm)									
B Frame height		to customer specifications (standard 25 cm)									
D Min. rotation clearance		75 cm									

SERIE ALLUMIN

FOR FLAT ROOFS

Allumin retractable staircase designed to allow you to reach the roof (can also be made for access to tilting roofs). The external trap door comprises a wood panel covered with galvanised sheet steel. The wood trap door is made to 15 cm higher than the thickness of the roof to ensure isolation against water infiltration.

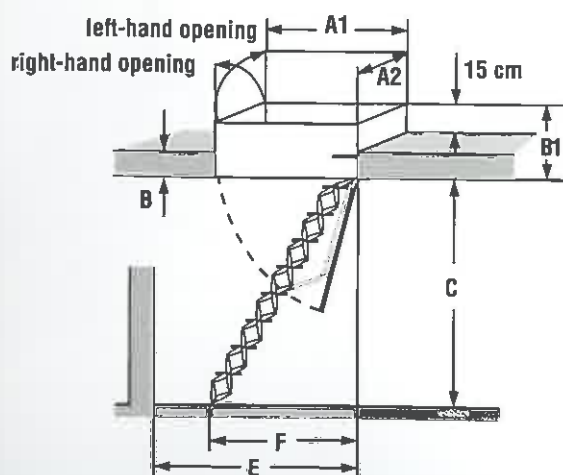
Additional steps are fitted inside the trap door frame to ensure safe exiting from the staircase.



Trap door and external cover with right-hand opening.



7



Staircase dimensions (staircase pitch 65°)

C Room height	cm	260	270	280	290	300	310	320	330	340	350	360	380	400
Number of steps	no.	10	10	10	11	11	11	12	12	13	13	13	14	15
A1 Min. opening length	cm	80	80	90	90	90	100	110	110	120	120	130	130	140
E Extension clearance	cm	170	175	180	185	190	195	200	205	210	215	220	225	230
F Stair foot rest point	cm	140	145	150	155	160	165	170	175	180	185	190	195	200
A2 Opening width (standard 70 cm)	cm	independent of length and height 50 - 55 - 60 - 65 - 70 - 75 - 80 - 85 - 90 - 100												
Step width	cm	21 - 26 - 31 - 36 (48 cm on request 85 cm)												
B1 Frame height		B thickness of ceiling + roof finish + 15 cm.												
Interior trap door opening		hinged on left or right side of staircase as required.												

SERIE ALLUMIN

A U T O M A T I C

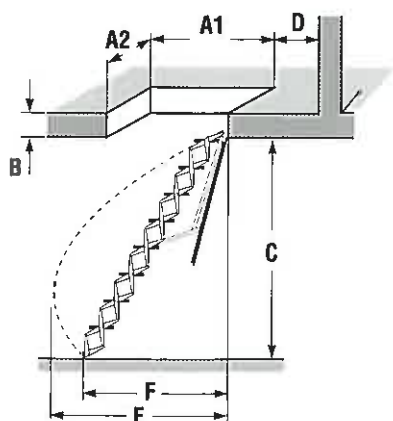
The **Allumin** staircase that extends and retracts automatically at the flick of a switch. Can be operated from upper or lower floor. The 24V motor is silent and has minimum maintenance requirements. In the event of power failure, the staircase can be operated manually. Staircase dimensions are the same as those of the other stairs in the **Allumin** range (see page 5), with the exception of A1 opening, which should be a minimum 100 cm.

Not available for vertical **Allumin** and **Ligna 3** staircases.

8



24 V motor



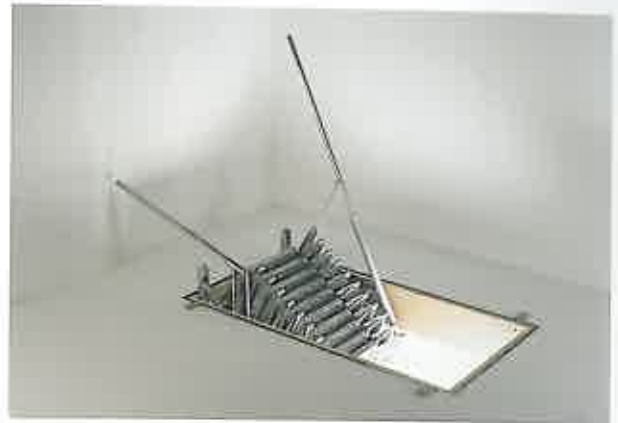
Staircase dimensions (staircase pitch 65°)

C Room height	cm	260	270	280	290	300	310	320	330	340	350	360	380	400
Number of steps	no.	9	9	10	11	11	11	12	12	13	13	13	14	15
A1 Min. opening length	cm	100	100	100	110	110	110	120	120	130	130	130	130	150
E Extension clearance	cm	170	175	180	185	190	195	200	205	210	215	220	225	230
F Stair foot rest point	cm	140	145	150	155	160	165	170	175	180	185	190	195	200
A2 Opening width (standard 70 cm)	cm	independent of length and height 55 - 60 - 65 - 70 - 75 - 80 - 85 - 90 - 100												
Step width	cm	21 - 26 - 31 - 36 (48 cm on request 85 cm)												
B Frame height		to customer specifications (standard 20 cm)												

Main accessories



Upper support rail
Made from metal tubing. Makes entering and exiting safe and easy.



Handle for overhead opening and closing of Allumin-type staircases
Allows easy overhead opening and closing of the staircase. Not applicable to terrace stairs.



Protective railing on landing
Comprises four metal corner brackets and rods. Protects against accidental falls through the staircase opening, and gives support when exiting onto the landing. Not available for terrace staircases.



Esteller stairs are also available with approved standard trapdoor with REI 60 fire resistance.

9



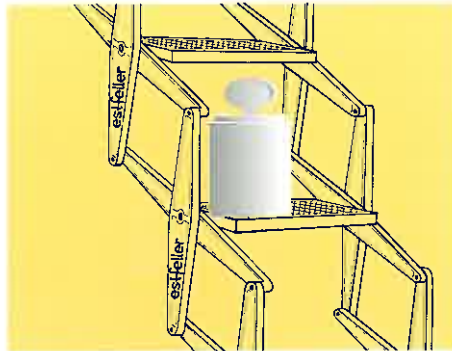
Oversized hinges.
Used in the case of trapdoors to be beaded.



Triangular lock.
Prevents use of the staircase by unauthorised persons; comprises a triangular locks.
The key is attached to the end of the control rod.

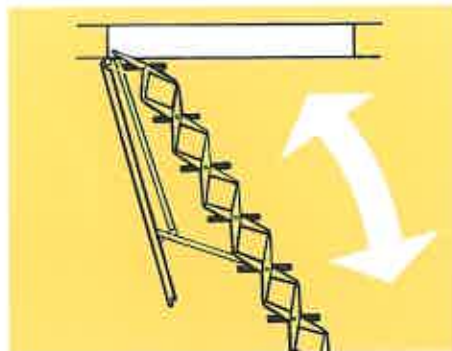
A few good reasons why you should

Quality and safety



The stability and safety of Estfeller retractable stairs is guaranteed by the use of only select quality materials and by over 40 years of technological experience.

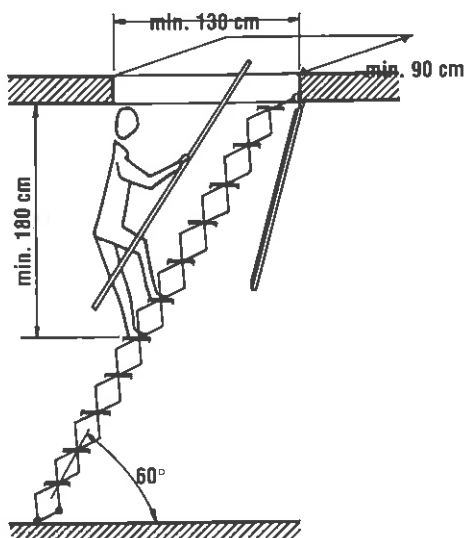
Easy operation



The perfectly balanced mechanisms of Estfeller retractable staircases ensure smooth, easy operation. The force required to extend the staircase is minimum (only 3 kg). Each staircase is thorough tested before delivery.

10

Requirements for access to lift machine rooms



Notes

A1xA2 Length and width of the opening

Length can be selected independently of the width, from the minimum dimensions shown in the tables up to a maximum of 200x100 (A1xA2) with 5 cm intervals. Frames are built 2 cm shorter and narrower than the opening.

B Frame height

Frames can be made with a minimum height of 16 cm (20 cm for Ligna 3) up to any height requested. For flat roof access, the minimum height of 50 cm. In this case, specify the total thickness of the ceiling (including the roof finish) to which 15 will be added to provide the necessary clearance for trap door rotation.

C Room height

Staircases are made to the specified measurements and can also be adapted to accommodate differences in height of up to ± 5 cm

E Extension clearance (distance from obstacles)

Inform the manufacturer of the position of any obstacles that may prevent full extension of the stair, so that the stair foot rest point can be adjusted accordingly.

F Stair foot rest point

The values given in the tables are indicative only and are in no way binding.

In cases where retractable stairs are used for access to lift machine rooms, safety regulations require a staircase pitch of 60° and a vertical clearance of 180 cm between the stair and the frame of the trap opening. To satisfy these requirements, the opening must be at least 130 cm long and 90 cm wide.

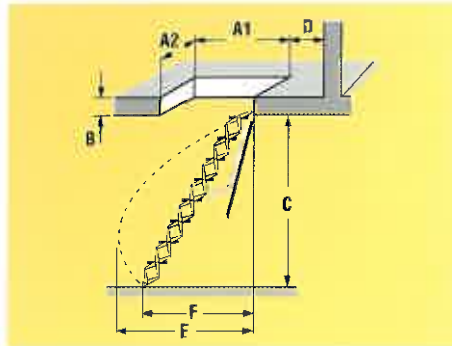
choose Estfeller retractable staircases

Just about anybody can install an Estfeller retractable staircase. All the instructions and accessories you need are included in the supply.



Easy installation

Estfeller retractable staircases come in a wide range of standard sizes, but can also be made to your own specifications.



Made to measure

Specifications

LIGNA 3

Supply of no wood retractable staircases for room height cm, opening length cm, opening width cm, frame height cm. Solid spruce steps and uprights protected by basecoat; steps are glued and secured to the uprights by dovetails. Step section 23x100 mm, width 38 mm, maximum height 24 mm. Multi-laminar 20 mm wood panel trap door protected by basecoat; frame is made from 25 mm anti-humidity multi laminar wood panel. Galvanised metal fittings, long-life spring. Manoeuvre strength required for staircase extension approx. 3 kg. Supply includes: joint cover strips, control rod, assembly accessories.

Optional accessories:

- upper handrail
- protective guard rail
- oversized hinges for trap door to be beaded (... mm)
- triangular lock
- control rod holder

ALLUMIN

Supply of no..... aluminium retractable staircases for room height cm, opening length cm, opening width cm, frame height cm. Composed of lightweight aluminium alloy sections assembly according to opening and closing principle of the pantograph. Galvanised metal fittings, long-life spring. Manoeuvre strength required for staircase extension approx. 3 kg. Multi-laminar 20 mm wood panel trap door protected by basecoat; frame is made from 25 mm anti-humidity multi-laminar wood panel. Supply includes: joint cover strips, control rod, assembly accessories.

Optional accessories:

- upper handrail
- handle for opening and closing from above
- protective guard rail on landing
- oversized hinges for trap door to be beaded (... mm)
- triangular lock
- control rod holder
- REI 60 fire-proof trap door
- electric motor



Alpaco Domica Ltd

P. O. Box 28293, 2092 STROVOLOS, NICOSIA - CYPRUS
 Tel.: +357-22497113, Fax: +357-22498838
 E-mail: alpaco@logos.cy.net
 www.alpacodomica.com

Alpaco Doors-Automstions Ltd

P. O. Box 28404, 2094 STROVOLOS, NICOSIA - CYPRUS
 Tel.: +357-22512220, Fax: +357-22518987
 E-mail: alpaco@alpaco.com.cy
 www.alpaco.com.cy



Via Nazionale, 64 - 39040 Ora (BZ)
 Tel. 0471 - 81 00 89 - Fax 0471 - 81 08 75
 Internet: www.estfeller.com
 e-mail: info@estfeller.com

The exclusive quality of select timber, meticulous manufacturing controls, close attention to detail and finish, the perfect balance between traditional craftsmanship and modern technology; a guarantee that only a company with over 40 years of experience can offer.

Estfeller



Sliding doors



Open tread staircases



Spiral staircases



Retractable ladders



Roof windows

A product range to meet all your needs