

# PRODUCT RANGE

---



SOLUTIONS for  
**DRAINAGE**

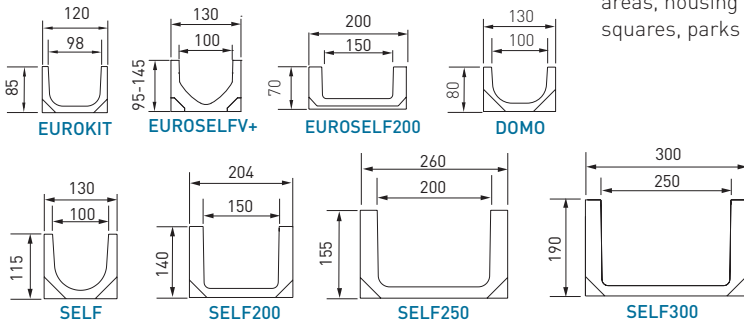
# SELF SYSTEM

## CHANNELS FOR PEDESTRIAN AREAS

LOAD CLASS FROM A15 to C250  
EN1433 STANDARD



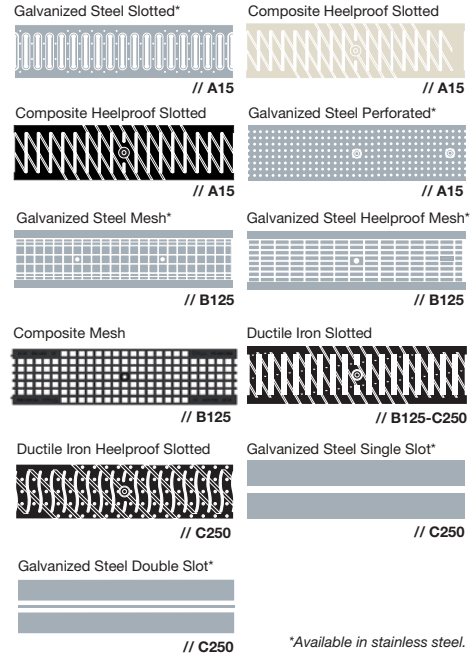
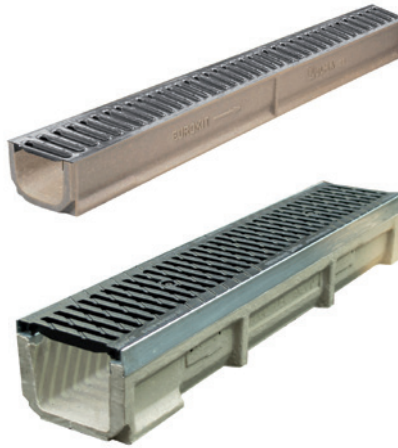
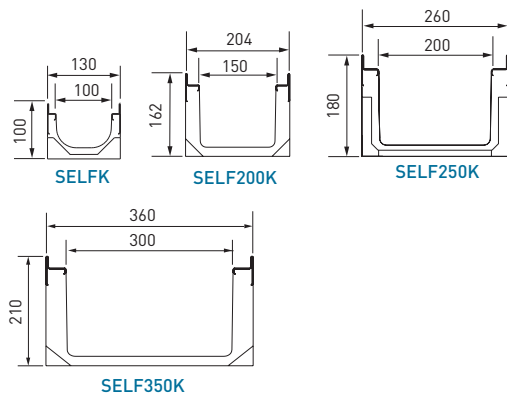
### CHANNELS WITHOUT EDGE



**Applications:** pedestrian areas, housing estates, squares, parks and gardens.



### REINFORCED EDGE CHANNELS



\*Available in stainless steel.

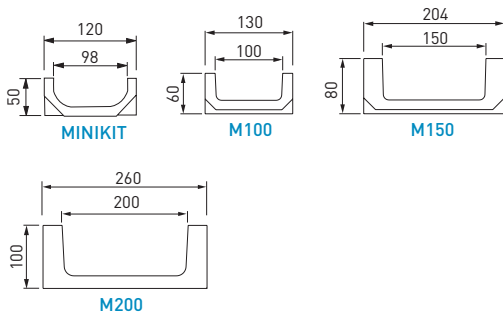
# MINI SYSTEM

## LOW HEIGHT CHANNELS

LOAD CLASS FROM A15 to C250  
EN1433 STANDARD



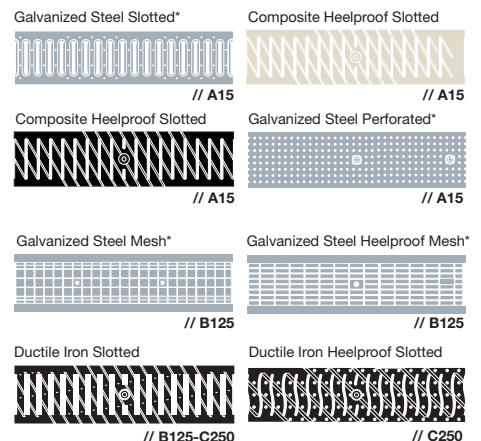
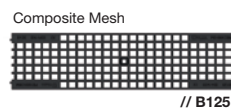
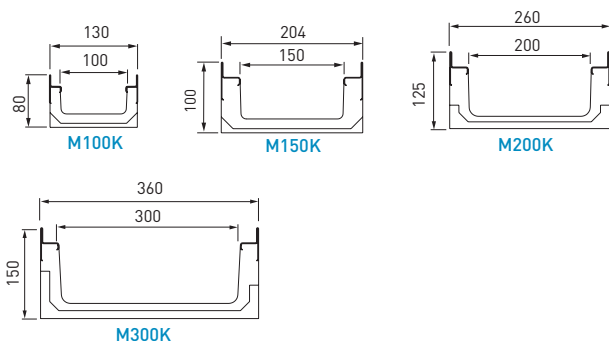
### CHANNELS WITHOUT EDGE



**Applications:** Areas with limited height, such as floors of garages.



### REINFORCED EDGE CHANNELS



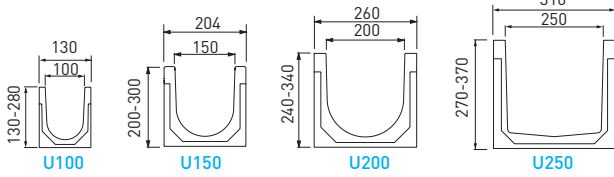
\*Available in stainless steel.

# URBAN SYSTEM

AVAILABLE WITH SLOPE  
LOAD CLASS FROM A15 to C250  
EN1433 STANDARD



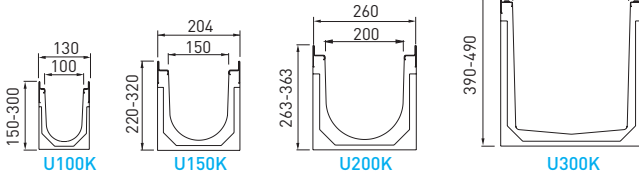
## CHANNELS WITHOUT EDGE



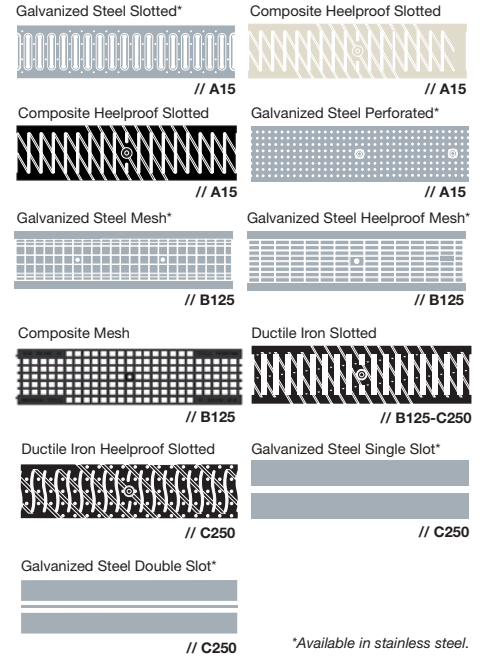
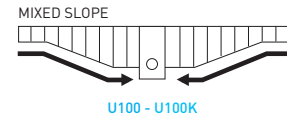
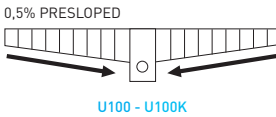
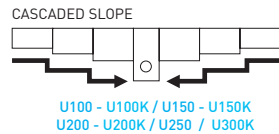
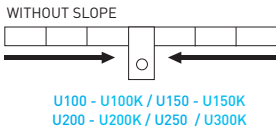
**Applications:** pedestrian areas, housing estates, squares, parks and gardens.



## REINFORCED EDGE CHANNELS



## TYPES OF SLOPES

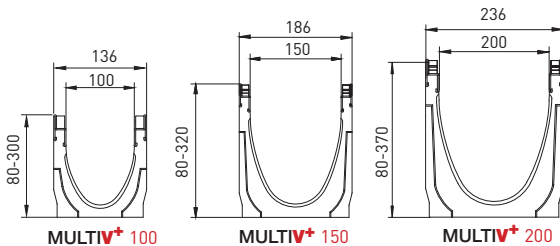


# MULTIV+ SYSTEM

OPTIMIZED V-SHAPED SECTION  
LOAD CLASS FROM C250 to D400\*  
EN1433 STANDARD



- Higher speed with lower flows
- Bigger capacity for extreme flows



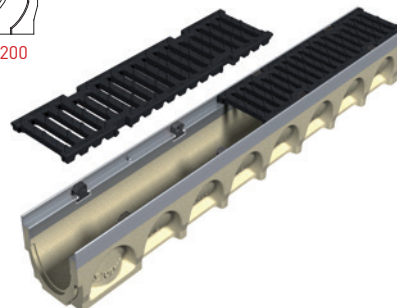
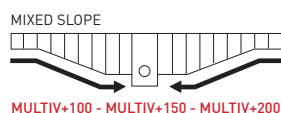
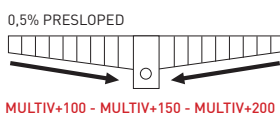
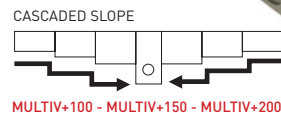
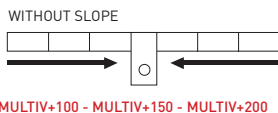
**Applications:** Pedestrian and shopping areas, parking areas for all types of vehicles.



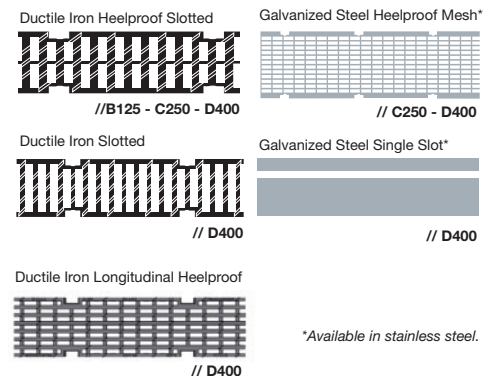
- Two fastening options:  
Rapidlock® boltless fastening system and screw-fastened system.

**rapidlock®**

## TYPES OF SLOPES



- Ductile iron edges available

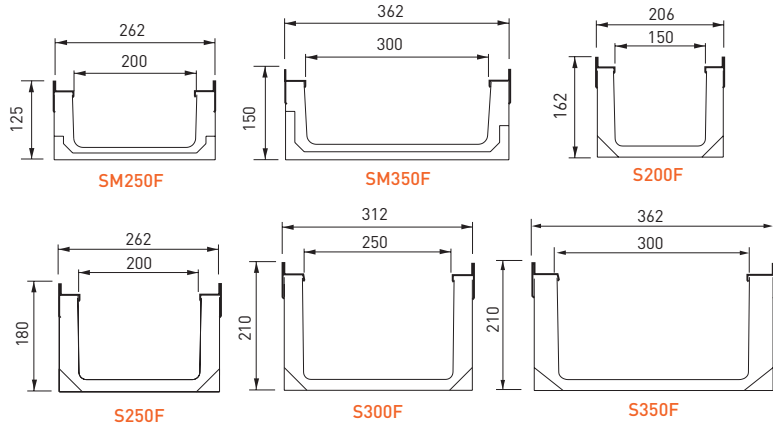


\* For cross-drainage in heavy traffic areas we recommend our KOMPAQDRAIN® system.

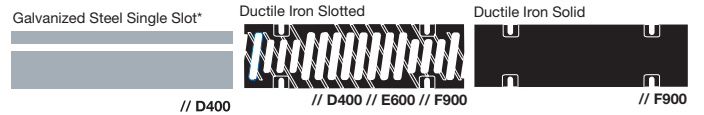
# CIVIL-S SYSTEM

## LOW HEIGHT CHANNELS FOR HEAVY LOADS

LOAD CLASS FROM C250 to F900  
EN1433 STANDARD



**Applications:** Airports, warehouses, car parks for heavy vehicles.



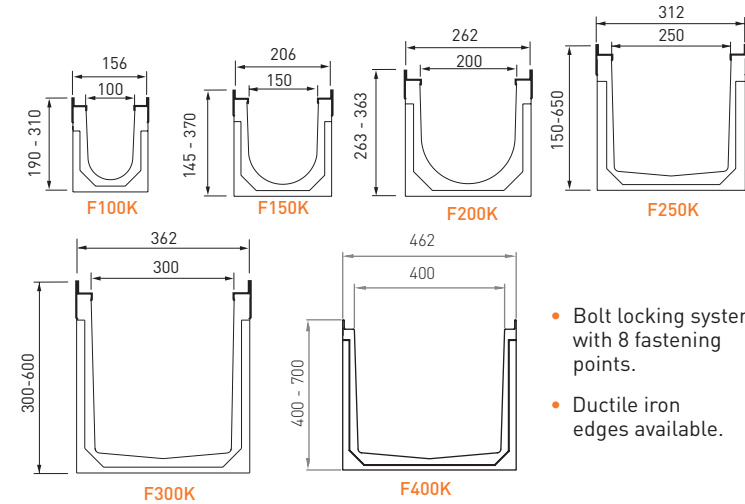
\*Available in stainless steel.

- Bolt locking system with 8 fastening points.
- Ductile iron edges available

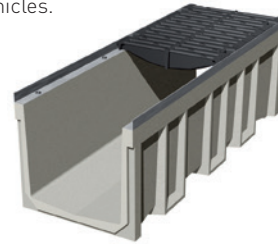
# CIVIL-F SYSTEM

## CHANNELS FOR HEAVY LOADS AND AVAILABLE WITH SLOPE

LOAD CLASS FROM C250 to F900  
EN1433 STANDARD



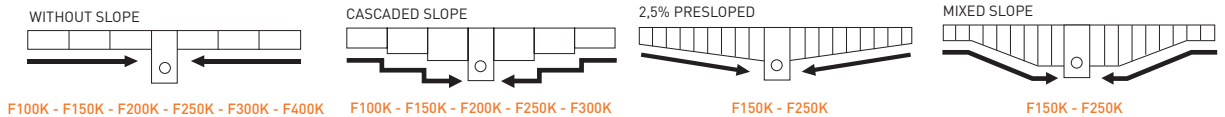
**Applications:** Airports, warehouses, car parks for heavy vehicles.



\*Available in stainless steel.

- Bolt locking system with 8 fastening points.
- Ductile iron edges available.

### TYPES OF SLOPES



F100K - F150K - F200K - F250K - F300K - F400K

F100K - F150K - F200K - F250K - F300K

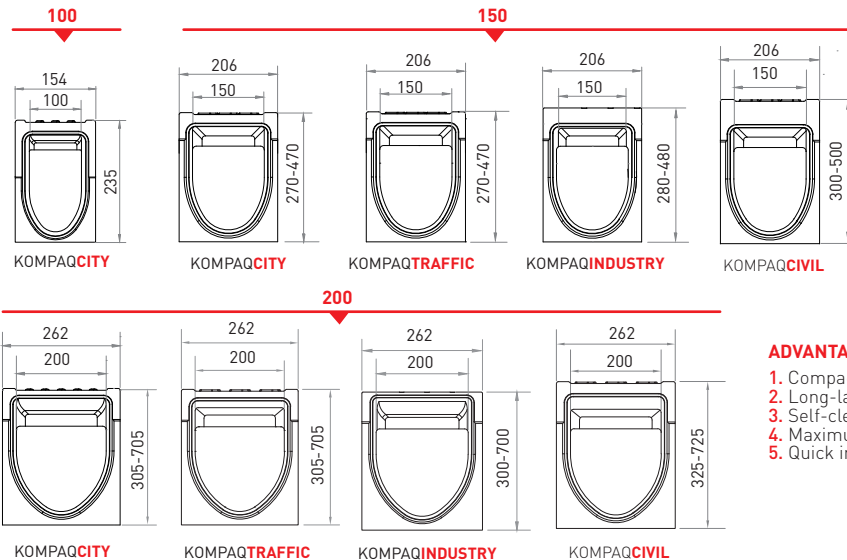
F150K - F250K

F150K - F250K

# KOMPAQDRAIN SYSTEM

## COMPACT CHANNEL WITH MAX FLOW® SYSTEM

LOAD CLASS FROM D400 to F900  
EN-1433 STANDARD

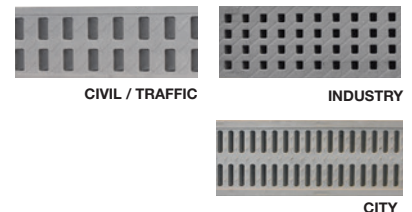


**Applications:** Motorways, airports, service stations and other intense traffic areas.



### ADVANTAGES OF THE SYSTEM

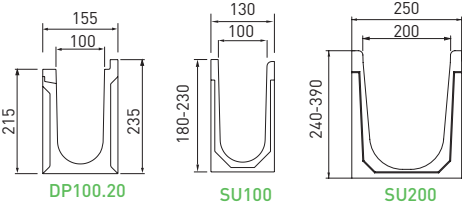
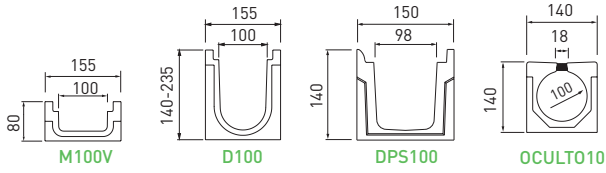
1. Compact
2. Long-lasting and resistant
3. Self-cleaning
4. Maximum security
5. Quick installation



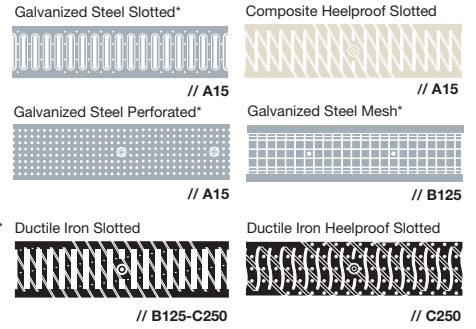
# SPORT SYSTEM

## CHANNELS FOR SPORTS FACILITIES

LOAD CLASS FROM A15 to C250  
EN1433 STANDARD

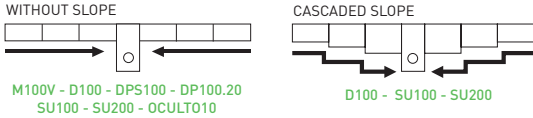


**Applications:** Football pitches, running tracks and recreational areas.



\*Available in stainless steel.

### TYPES OF SLOPES



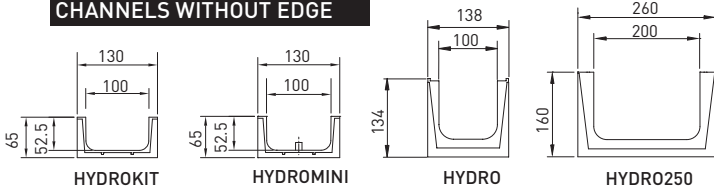
# HYDRO SYSTEM

## COMPOSITE CHANNELS

LOAD CLASS FROM A15 to C250  
EN1433 STANDARD



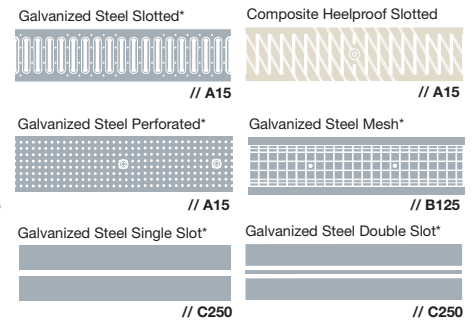
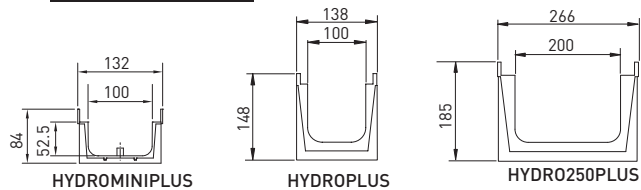
### CHANNELS WITHOUT EDGE



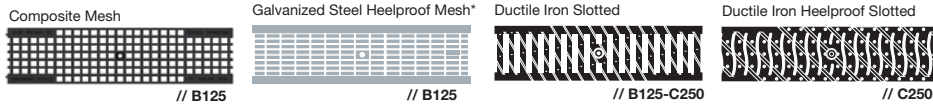
**Applications:** Swimming pools, changing rooms.



### EDGE CHANNELS



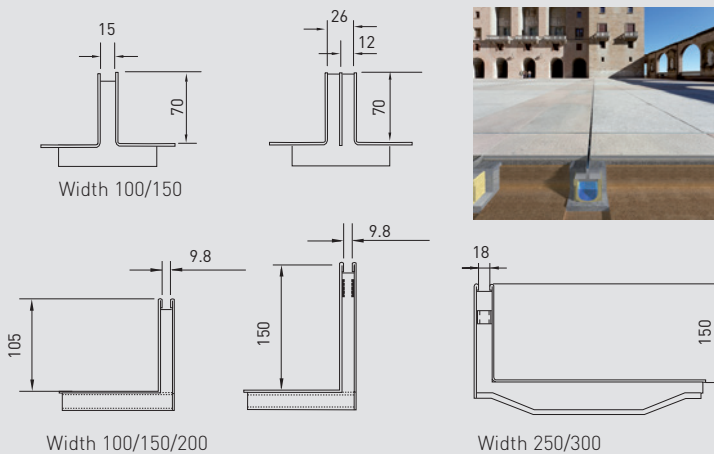
\*Available in stainless steel.



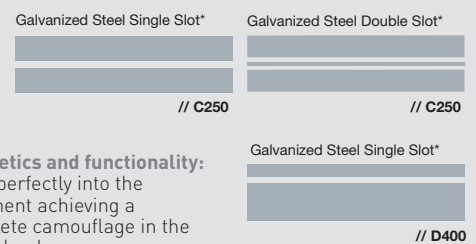
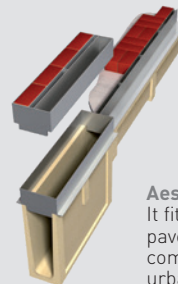
# SLOT GRATINGS

## AESTHETICS AND FUNCTIONALITY

LOAD CLASS FROM C250 to D400  
EN1433 STANDARD



**Applications:** Road surfaces, pedestrian streets, hard shoulders and parking areas for all kinds of road vehicles.



**Aesthetics and functionality:** It fits perfectly into the pavement achieving a complete camouflage in the urban landscape.

\*Available in stainless steel.



[ulmaarchitectural.com](http://ulmaarchitectural.com)

**ULMA ARCHITECTURAL SOLUTIONS**

Bº Zubillaga, 89 - Apdo. 20  
20560 Oñati (Gipuzkoa) Spain  
Tel.: 00 34 943 78 06 00  
[info@ulmaarchitectural.com](mailto:info@ulmaarchitectural.com)