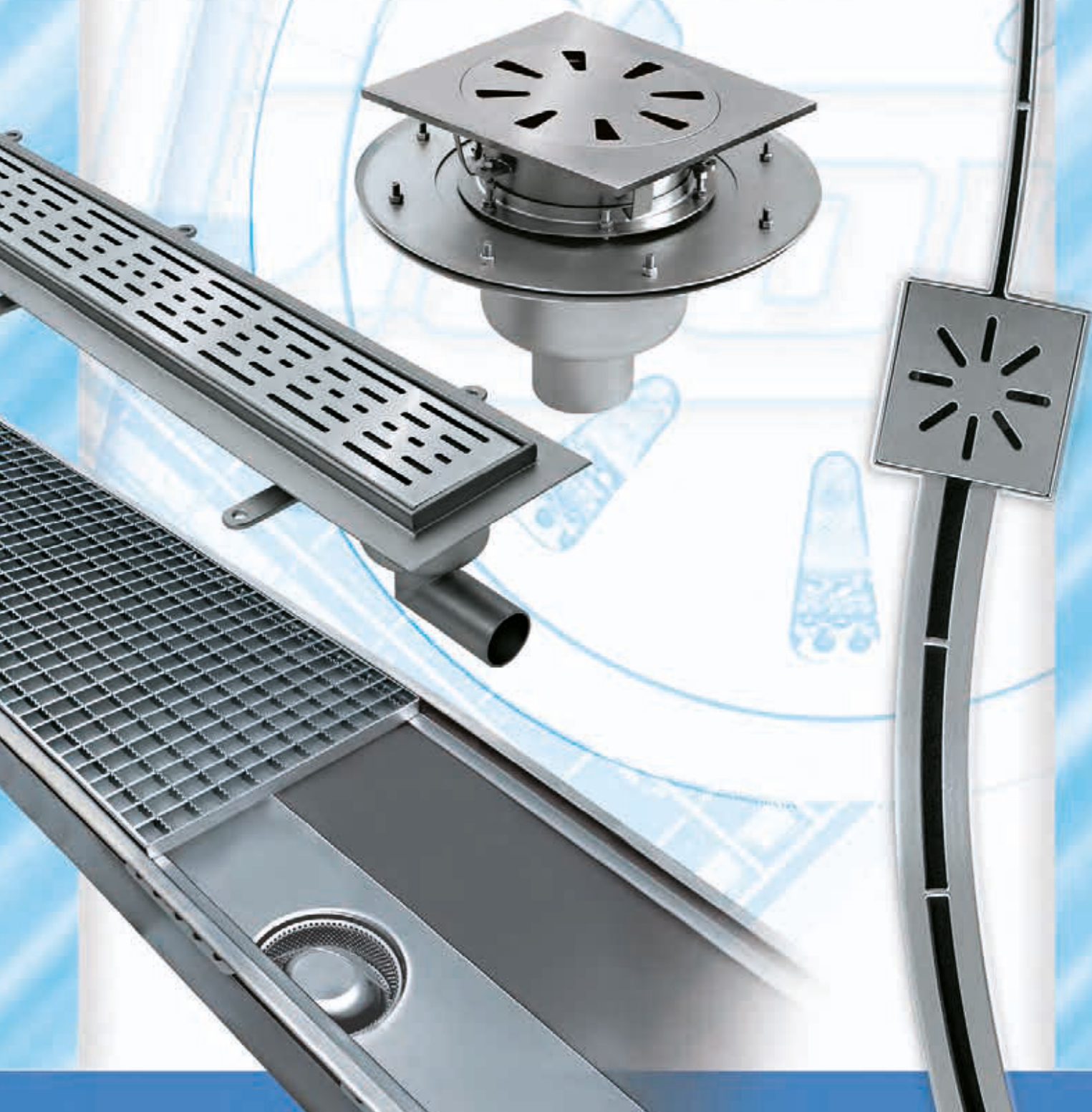
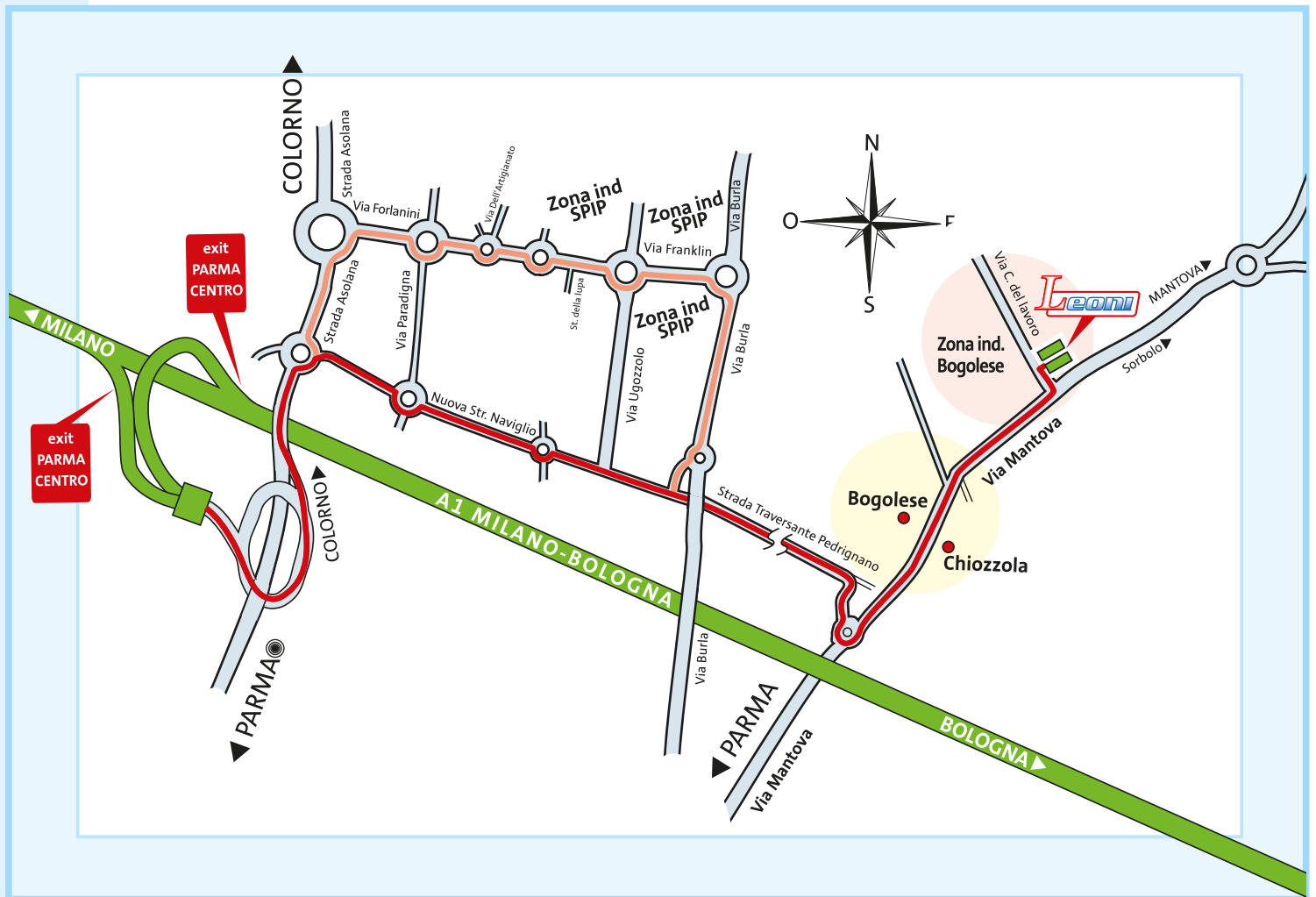


Leoni

*Drainage systems
in stainless steel*





Officina Meccanica LEONI s.a.s. di Riccardo Leoni e C.

Via Caduti del Lavoro, 4 - 43058 Bogolese di Sorbolo - PARMA - ITALIA

Tel. +39 0521 604320/604085 - Fax +39 0521 604300 - e-mail: info@leoniparma.it - web: www.leoniparma.it

Reg. soc. Trib. PR 21970 - C.C.I.A.A. 177046 - P. IVA IT 01768010348

This catalogue may be useful to all operators to find the ideal solution for any drainage problems in industrial floors.

Our company offers a very wide range of gullies, inspections, drain channels also inclusive of grating covers. These allows them to be used, without restriction, in all modern drainage systems for food-processing plants (slaughter-house, wine-cellar, kitchens, dairy and fish industries), also in chemical and pharmaceutical industries, and swimming pools.

All our goods are made of Stainless Steel AISI 304 (316 on request), the high quality assures an easy washing, hygienic conditions and safety, in any surrounding, as required by the European Community market and his regulations.

Our company provides planning assistance, advise and assembly.

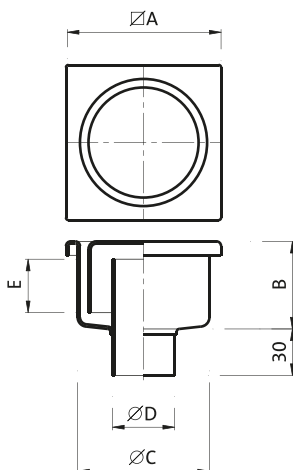
For any information, please, contact our offices.

		
	Standard gullies	4
	Gullies with O-ring closure	9
	Gullies lower version	10
	Cover for gullies with special execution	11
	Gullies with horizontal outlet	12
	Telescopic gullies	15
	Round gullies (several kinds)	16
	Inspection gullies	17
	Inspection frame water tight	18
	Clean out	19
	Special applications	19
	Round channels (Giotto®)	20
	Stainless steel slot channels	21
	Small channels for terraces	27
	Channels for swimming pools	28
	Flat edge channels for swimming	29
	Channels for showers	30
	Basis with grating covers	32
	Channels system with grating covers width 150 mm	33
	Channels with grating covers	36
	Angle frame with grating covers	41

STANDARD GULLIES

P.062

GULLY 100x100,
OUTLET \varnothing 40 mm



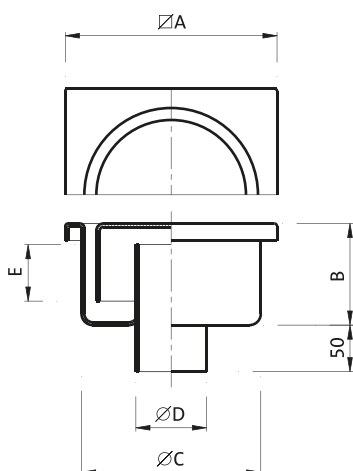
Features

Finish: **Sand-blast or polished**
Available with or without basket.

Item.	Main Measurements (mm)					Capacity (Kg)		Outlet capacity
	$\varnothing A$	B	$\varnothing C$	$\varnothing D$	E	Concentrated load	Distributed load	Lt/min.
P 062	100	56	85	40	33	200	/	20

P.070

GULLY 150x150,
OUTLET \varnothing 50 mm



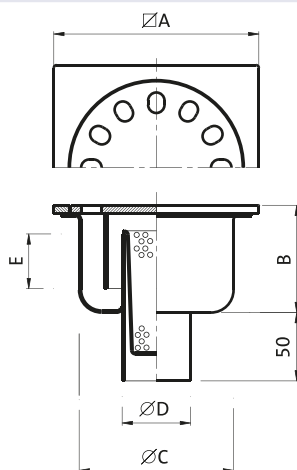
Features

Finish: **Sand-blast or polished**
Available with or without basket..

Item.	Main Measurements (mm)					Capacity (Kg)		Outlet capacity
	$\varnothing A$	B	$\varnothing C$	$\varnothing D$	E	Concentrated load	Distributed load	Lt/min.
P 070	150	75	126	50	33	400	/	38

P.024

GULLY 150x150,
OUTLET \varnothing 50 mm



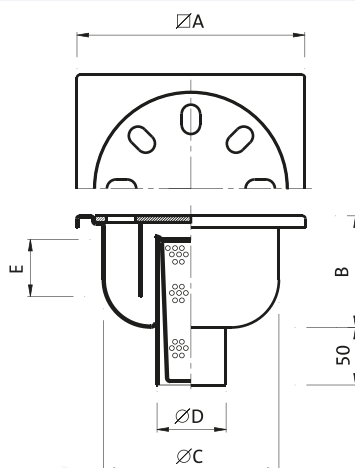
Features

Finish: **Sand-blast**
Also available with or without basket and with cover fastened with a screw.
On request round model.

Item.	Main Measurements (mm)					Capacity (Kg)		Outlet capacity
	$\varnothing A$	B	$\varnothing C$	$\varnothing D$	E	Concentrated load	Distributed load	Lt/min.
P 024	150	80	110	50	35	1000	5000	38

P.002

GULLY 200x200,
OUTLET \varnothing 63,5 mm

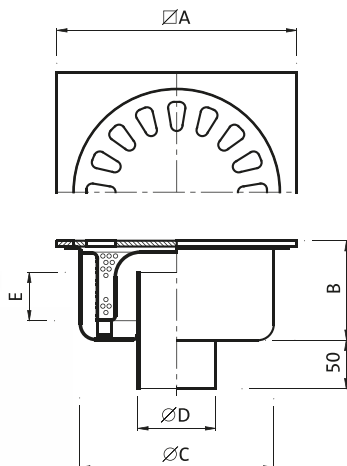


Features

Finish: **Sand-blast**
Also available with or without basket and with cover fastened with a screw.

Item.	Main Measurements (mm)					Capacity (Kg)		Outlet capacity
	$\varnothing A$	B	$\varnothing C$	$\varnothing D$	E	Concentrated load	Distributed load	Lt/min.
P 002	200	85	150	63,5	50	850	4600	74

P.016 GULLY 250x250,
OUTLET \varnothing 76/80 mm



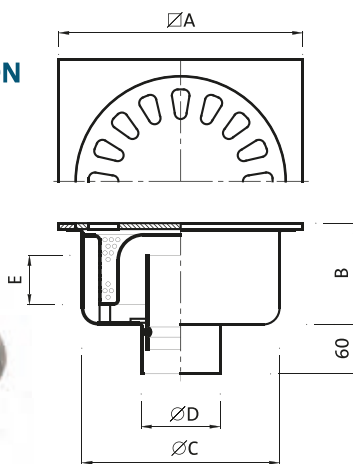
Features

Finish: **Sand-blast**

Also available: with or without basket, with cover fastened with a screw, and also with top plate of different thickness. On request round model.

Item.	Main Measurements (mm)					Capacity (Kg)		Outlet capacity Lt/min.
	\varnothing A	B	\varnothing C	\varnothing D	E	Concentrated load	Distributed load	
P 016	250	115	195	76 80	50	850	6500	110

P.025 GULLY 250x250,
OUTLET \varnothing 76 mm
WITH REMOVABLE SIPHON



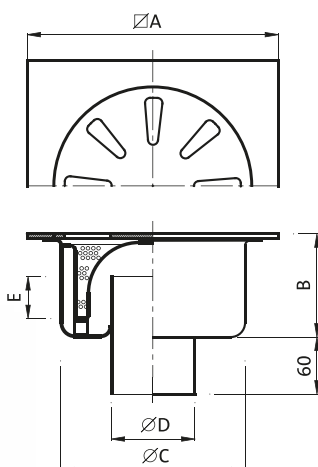
Features

Finish: **Sand-blast**

Also available: with or without basket, with cover fastened with a screw, and also with top plate of different thickness. On request round model.

Item.	Main Measurements (mm)					Capacity (Kg)		Outlet capacity Lt/min.
	\varnothing A	B	\varnothing C	\varnothing D	E	Concentrated load	Distributed load	
P 025	250	115	195	76	50	850	6500	46

P.005 GULLY 300x300,
OUTLET \varnothing 101,6/110 mm



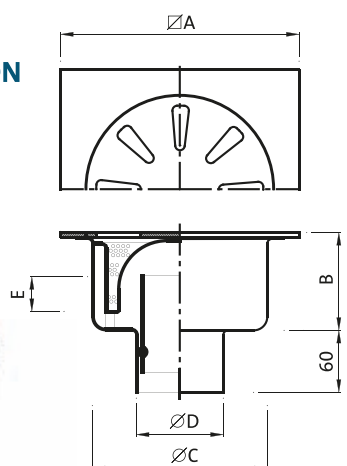
Features

Finish: **Sand-blast**

Also available: with or without basket, with cover fastened with a screw, and also with top plate of different thickness. On request round model.

Item.	Main Measurements (mm)					Capacity (Kg)		Outlet capacity Lt/min.
	\varnothing A	B	\varnothing C	\varnothing D	E	Concentrated load	Distributed load	
P 005	300	126	220	101,6 110	60	850	6500	140

P.026 GULLY 300x300,
OUTLET \varnothing 110 mm
WITH REMOVABLE SIPHON



Features

Finish: **Sand-blast**

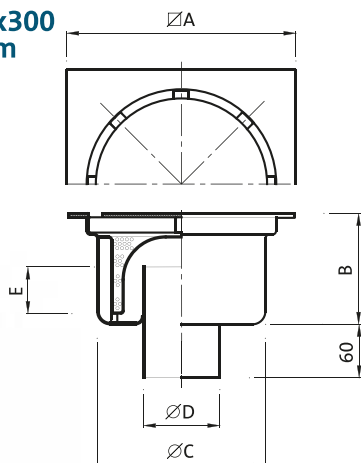
Also available: with or without basket, with cover fastened with a screw, and also with top plate of different thickness. On request round model.

Item.	Main Measurements (mm)					Capacity (Kg)		Outlet capacity Lt/min.
	\varnothing A	B	\varnothing C	\varnothing D	E	Concentrated load	Distributed load	
P.026	300	126	220	110	60	850	6500	130

STANDARD GULLIES

P.007

REINFORCED GULLY 300x300
OUTLET \varnothing 101,6/110 mm



Features

Finish: **Sand-blast**

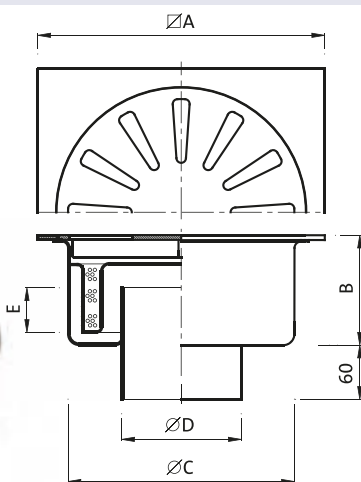
Also available: with or without basket, with cover fastened with a screw, and also with top plate of different thickness.

On request round model.

Item.	Main Measurements (mm)					Capacity (Kg)		Outlet capacity
	\varnothing A	B	\varnothing C	\varnothing D	E	Concentrated load	Distributed load	Lt/min.
P007	300	145	220	101,6 110	60	1600	16400	130

P.020

GULLY 350x350
OUTLET \varnothing 154 mm



Features

Finish: **Sand-blast**

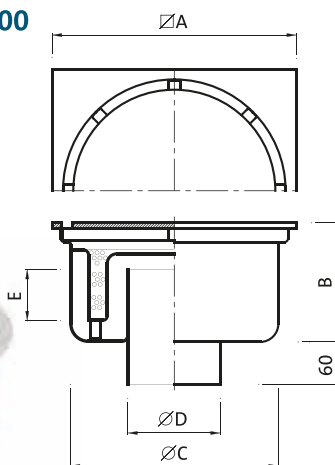
Also available: with or without basket, with cover fastened with a screw, and also with top plate of different thickness.

On request round model.

Item.	Main Measurements (mm)					Capacity (Kg)		Outlet capacity
	\varnothing A	B	\varnothing C	\varnothing D	E	Concentrated load	Distributed load	Lt/min.
P020	350	150	290	154	60	600	4000	220

P.010

REINFORCED GULLY 400x400
OUTLET \varnothing 154 mm



Features

Finish: **Sand-blast**

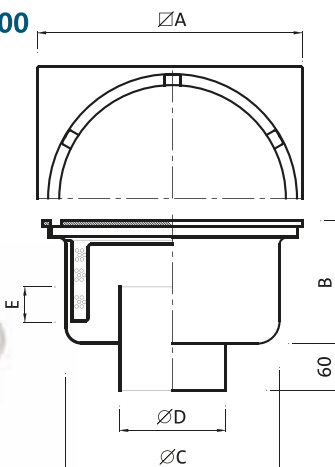
Also available: with or without basket, with cover fastened with a screw, and also with top plate of different thickness.

On request round model.

Item.	Main Measurements (mm)					Capacity (Kg)		Outlet capacity
	\varnothing A	B	\varnothing C	\varnothing D	E	Concentrated load	Distributed load	Lt/min.
P 010	400	200	340	154	70	1900	14900	220

P.019

REINFORCED GULLY 500x500
OUTLET \varnothing 219 mm



Features

Finish: **Sand-blast**

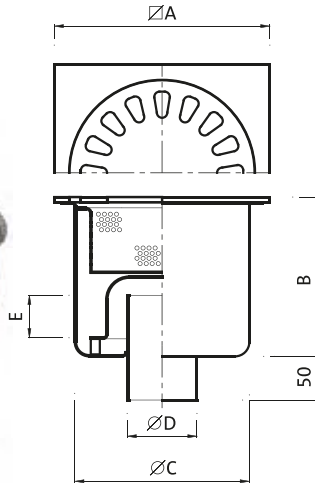
Also available: with or without basket, with cover fastened with a screw, and also with top plate of different thickness.

On request round model.

Item.	Main Measurements (mm)					Capacity (Kg)		Outlet capacity
	\varnothing A	B	\varnothing C	\varnothing D	E	Concentrated load	Distributed load	Lt/min.
P 019	500	235	425	219	80	1900	14900	270

P.072

**GULLY 250x250
WITH SEPARATED BASKET
OUTLET \varnothing 76/80 mm**



Features

Finish: **Sand-blast**

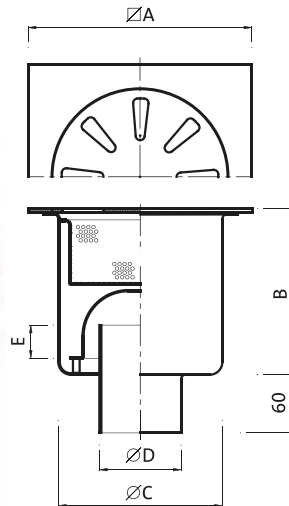
Also available with top plate of different thickness.

On request round model.

Item.	Main Measurements (mm)					Capacity (Kg)		Outlet capacity Lt/min.
	\varnothing A	B	\varnothing C	\varnothing D	E	Concentrated load	Distributed load	
P.072	250	220	195	76 80	50	850	6500	80

P.074

**GULLY 300x300
WITH SEPARATED BASKET
OUTLET \varnothing 101,6/110 mm**



Features

Finish: **Sand-blast**

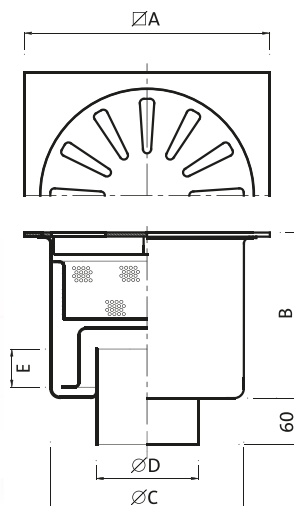
Also available with top plate of different thickness.

On request round model.

Item.	Main Measurements (mm)					Capacity (Kg)		Outlet capacity Lt/min.
	\varnothing A	B	\varnothing C	\varnothing D	E	Concentrated load	Distributed load	
P.074	300	220	220	101,6 110	60	850	6500	130

P.076

**GULLY 350x350
WITH SEPARATED BASKET
OUTLET \varnothing 154 mm**



Features

Finish: **Sand-blast**

Also available with top plate of different thickness.

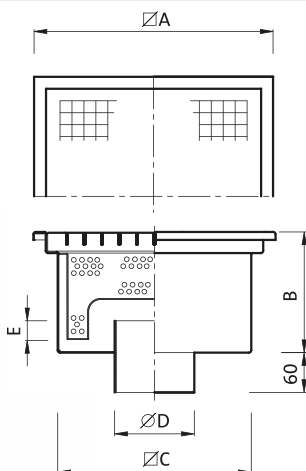
On request round model.

Item.	Main Measurements (mm)					Capacity (Kg)		Outlet capacity Lt/min.
	\varnothing A	B	\varnothing C	\varnothing D	E	Concentrated load	Distributed load	
P.076	350	250	290	154	60	600	4000	220

STANDARD GULLIES

PGR.025080

**GULLY 250x250
GRATING COVER
OUTLET \varnothing 80 mm**



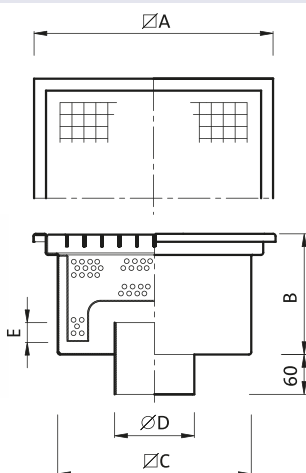
Features

Finish: **Sand-blast**
Standard grating cover:
 bearing surface 25x3 mesh 22x22.
 Also available with grating cover
 in different mesh.

Item.	Main Measurements (mm)					Capacity (Kg)		Outlet capacity Lt/min.
	\varnothing A	B	\varnothing C	\varnothing D	E	80x80	120x120	
PGR.025080	250	250	215	80	60	710	1250	80

PGR.030100

**GULLY 300x300
GRATING COVER
OUTLET \varnothing 101,6 mm**



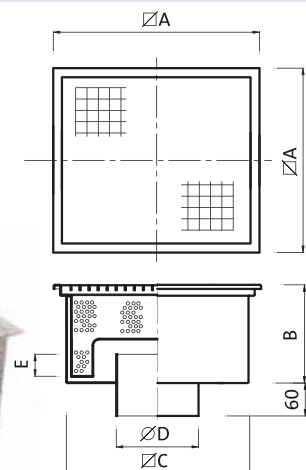
Features

Finish: **Sand-blast**
Standard grating cover:
 bearing surface 25x3 mesh 22x22.
 Also available with grating cover
 in different mesh.

Item.	Main Measurements (mm)					Capacity (Kg)		Outlet capacity Lt/min.
	\varnothing A	B	\varnothing C	\varnothing D	E	80x80	120x120	
PGR.030100	300	250	265	101,6	60	520	880	130

PGR.040154

**GULLY 400x400
GRATING COVER
OUTLET \varnothing 154 mm**



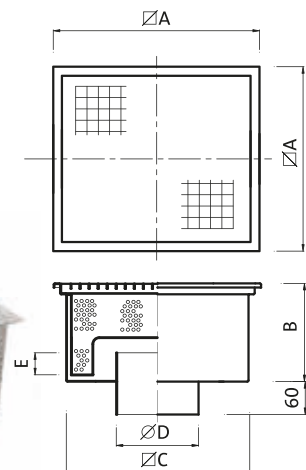
Features

Finish: **Sand-blast**
Standard grating cover:
 bearing surface 25x3 mesh 22x22.
 Also available with grating cover
 in different mesh.

Item.	Main Measurements (mm)					Capacity (Kg)		Outlet capacity Lt/min.
	\varnothing A	B	\varnothing C	\varnothing D	E	80x80	120x120	
PGR.040154	400	250	365	154	60	340	550	220

PGR.050219

**GULLY 500x500
GRATING COVER
OUTLET \varnothing 219 mm**



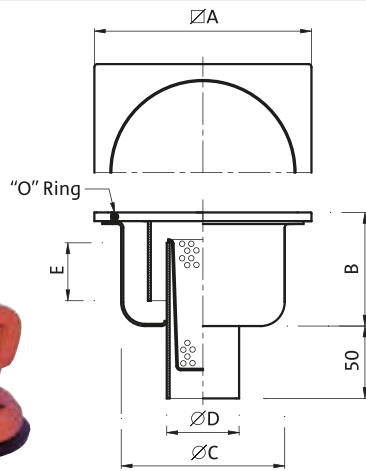
Features

Finish: **Sand-blast**
Standard grating cover:
 bearing surface 30x3 mesh 22x22.
 Also available with grating cover
 in different mesh.

Item.	Main Measurements (mm)					Capacity (Kg)		Outlet capacity Lt/min.
	\varnothing A	B	\varnothing C	\varnothing D	E	80x80	120x120	
PGR.050219	500	250	465	219	60	360	580	270

GULLIES WITH O-RING CLOSURE

P.024C GULLY 150x150,
OUTLET \varnothing 50 mm



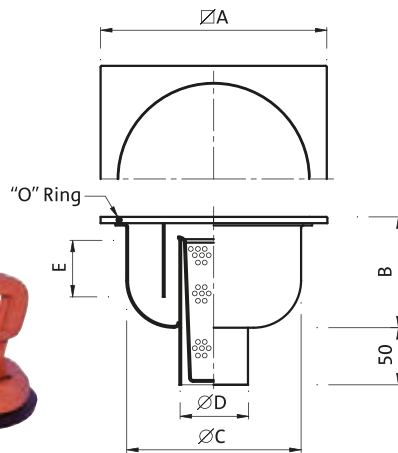
Features

Finish: **Sand-blast**

Also available: with or without basket, lower and round version, with cover fastened with a screw.
Sucker, accessory sell separately.

Item.	Main Measurements (mm)					Capacity (Kg)		Outlet capacity
	$\varnothing A$	B	$\varnothing C$	$\varnothing D$	E	Concentrated load	Distributed load	Lt/min.
P 024C	150	80	110	50	35	1000	5000	38

P.002C GULLY 200x200,
OUTLET \varnothing 63,5 mm



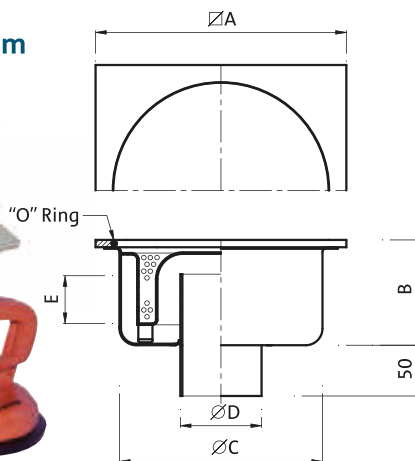
Features

Finish: **Sand-blast**

Also available: with or without basket, lower and round version, with cover fastened with a screw.
Sucker, accessory sell separately.

Item.	Main Measurements (mm)					Capacity (Kg)		Outlet capacity
	$\varnothing A$	B	$\varnothing C$	$\varnothing D$	E	Concentrated load	Distributed load	Lt/min.
P 002C	200	85	150	63,5	50	850	4600	46

P.064 GULLY 250x250,
OUTLET \varnothing 76/80 mm



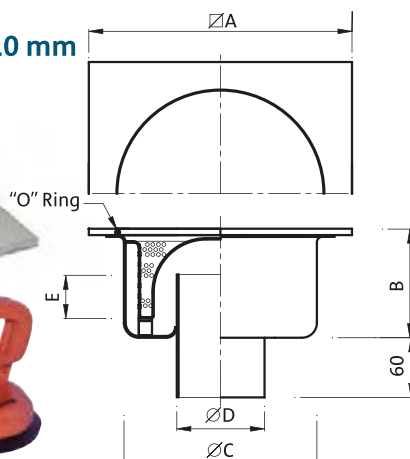
Features

Finish: **Sand-blast**

Also available: with or without basket, lower and round version, with cover fastened with a screw.
Sucker, accessory sell separately.

Item.	Main Measurements (mm)					Capacity (Kg)		Outlet capacity
	$\varnothing A$	B	$\varnothing C$	$\varnothing D$	E	Concentrated load	Distributed load	Lt/min.
P.064	250	115	195	76 80	50	850	6500	80

P.065 GULLY 300x300,
OUTLET \varnothing 101,6/110 mm



Features

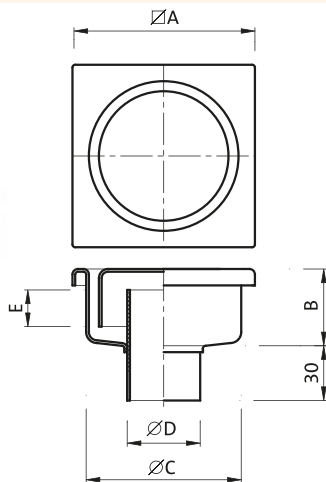
Finish: **Sand-blast**

Also available: with or without basket, lower and round version, with cover fastened with a screw.
Sucker, accessory sell separately.

Item.	Main Measurements (mm)					Capacity (Kg)		Outlet capacity
	$\varnothing A$	B	$\varnothing C$	$\varnothing D$	E	Concentrated load	Distributed load	Lt/min.
P.065	300	126	220	110 101,6	60	850	6500	130

GULLIES LOWER VERSION

P.066 GULLY 100x100,
OUTLET \varnothing 40 mm



Features

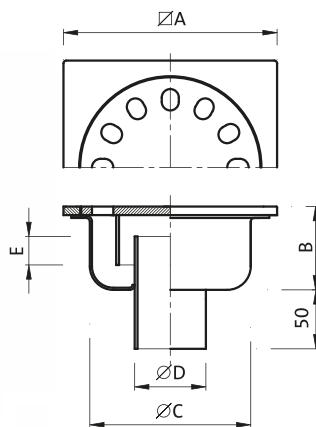
Finish: **Sand-blast or polished**

N.B.:

**Available 150x150mm version
outlet \varnothing 50mm**

Item.	Main Measurements (mm)					Capacity (Kg)		Outlet capacity
	$\varnothing A$	B	$\varnothing C$	$\varnothing D$	E	Concentrated load	Distributed load	Lt/min.
P.066	100	35	85	40	15	200		12

P.028 GULLY 150x150,
OUTLET \varnothing 50 mm



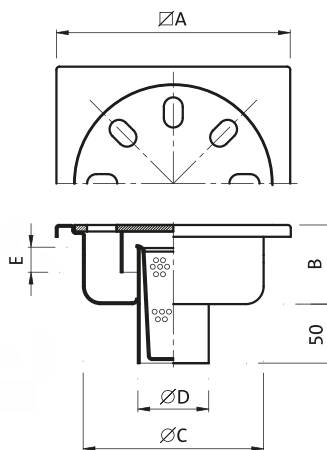
Features

Finish: **Sand-blast**

**Also available with or without basket and with
cover fastened with a screw.
On request round model.**

Item.	Main Measurements (mm)					Capacity (Kg)		Outlet capacity
	$\varnothing A$	B	$\varnothing C$	$\varnothing D$	E	Concentrated load	Distributed load	Lt/min.
P.028	150	55	110	50	20	1000	5000	38

P.014 GULLY 200x200,
OUTLET \varnothing 63,5 mm



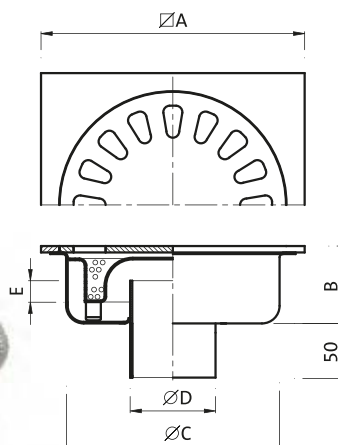
Features

Finish: **Sand-blast**

**Also available with or without basket and with
cover fastened with a screw.**

Item.	Main Measurements (mm)					Capacity (Kg)		Outlet capacity
	$\varnothing A$	B	$\varnothing C$	$\varnothing D$	E	Concentrated load	Distributed load	Lt/min.
P.014	200	50	150	63,5	25	850	4600	46

P.030 GULLY 250x250,
OUTLET \varnothing 76/80 mm



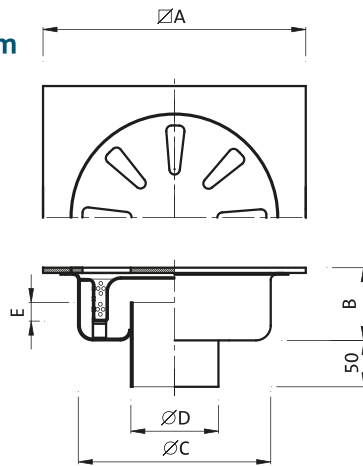
Features

Finish: **Sand-blast**

**Also available with or without basket and with
cover fastened with a screw.
On request round model.**

Item.	Main Measurements (mm)					Capacity (Kg)		Outlet capacity
	$\varnothing A$	B	$\varnothing C$	$\varnothing D$	E	Concentrated load	Distributed load	Lt/min.
P030	250	85	195	76 80	25	850	6500	80

P.006 GULLY 300x300,
OUTLET \varnothing 101,6/110 mm

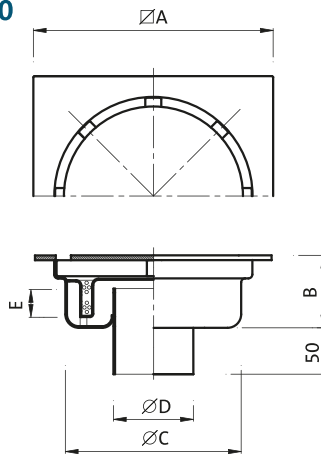


Features

Finish: **Sand-blast**
Also available with or without basket and with cover fastened with a screw.
On request round model.

Item.	Main Measurements (mm)					Capacity (Kg)		Outlet capacity Lt/min.
	\varnothing A	B	\varnothing C	\varnothing D	E	Concentrated load	Distributed load	
P006	300	85	220	101,6 110	30	850	6500	130

P.012 REINFORCED GULLY 300x300
OUTLET \varnothing 101,6/110 mm



Features

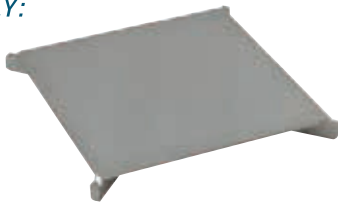
Finish: **Sand-blast**
Also available with or without basket and with cover fastened with a screw.
On request round model.

Item.	Main Measurements (mm)					Capacity (Kg)		Outlet capacity Lt/min.
	\varnothing A	B	\varnothing C	\varnothing D	E	Concentrated load	Distributed load	
P012	300	85	220	101,6 110	25	1600	16400	130

COVERS FOR GULLIES On request we produce specials executions

OPTIONAL FOR GULLY:

- PGR.025080
- PGR.030100
- PGR.040154
- PGR.050219



OPTIONAL FOR GULLY:

- P.002 P.072
- P.005 P.074
- P.016 P.076
- P.020 P.025
- P.026 P.024



OPTIONAL FOR GULLY:

- PGR.025080
- PGR.030100
- PGR.040154
- PGR.050219



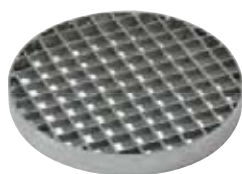
OPTIONAL FOR GULLY:

- P.002 P.072
- P.005 P.074
- P.016 P.076
- P.020 P.025
- P.026 P.024



OPTIONAL FOR GULLY:

- P.007
- P.010
- P.080



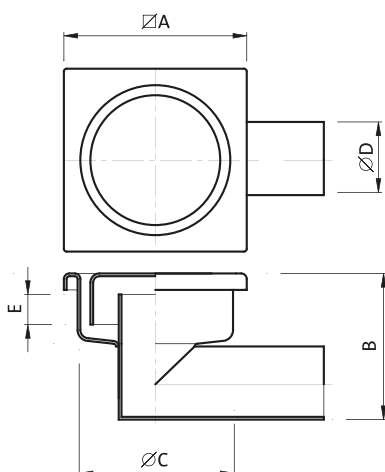
OPTIONAL FOR GULLY:

- P.007
- P.010
- P.080



GULLIES HORIZONTAL OUTLET

P.066L GULLY 100x100,
OUTLET \varnothing 40 mm



Features

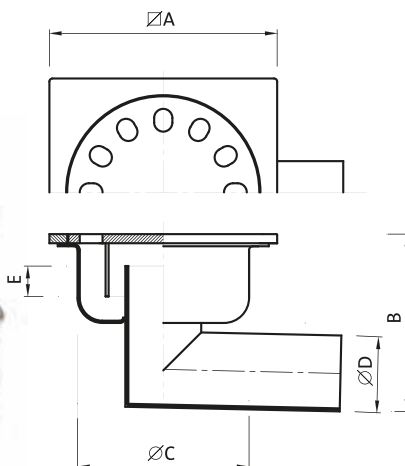
Finish: **Sand-blast** or polished.

N.B.:

Available 150x150mm Version
outlet \varnothing 50mm

Item.	Main Measurements (mm)					Capacity (Kg)		Outlet capacity Lt/min.
	\varnothing A	B	\varnothing C	\varnothing D	E	Concentrated load	Distributed load	
P.066L	100	90	85	40	15	200		12
P.062L	100	105	85	40	33	200		12

P.028L GULLY 150x150,
OUTLET \varnothing 50 mm



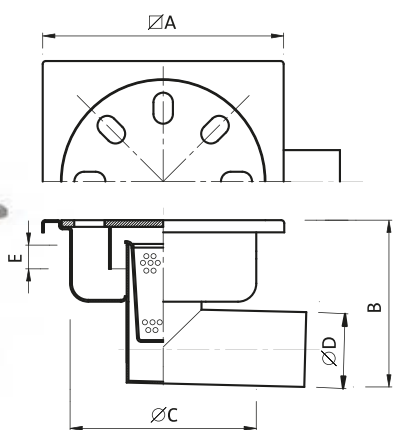
Features

Finish: **Sand-blast**

Also available with or without basket and with
cover fastened with a screw.

Item.	Main Measurements (mm)					Capacity (Kg)		Outlet capacity Lt/min.
	\varnothing A	B	\varnothing C	\varnothing D	E	Concentrated load	Distributed load	
P.028L	150	115	110	50	20	1000	5000	38
P.024L	150	130	110	50	35	1000	5000	38

P.014L GULLY 200x200,
OUTLET \varnothing 63,5 mm



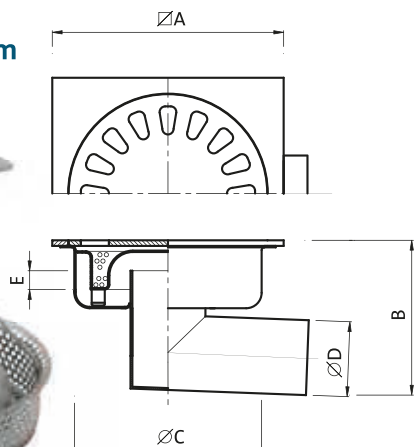
Features

Finish: **Sand-blast**

Also available with or without basket and with
cover fastened with a screw.

Item.	Main Measurements (mm)					Capacity (Kg)		Outlet capacity Lt/min.
	\varnothing A	B	\varnothing C	\varnothing D	E	Concentrated load	Distributed load	
P.014L	200	125	150	63,5	25	850	4600	46
P.002L	200	150	150	63,5	50	850	4600	46

P.030L GULLY 250x250,
OUTLET \varnothing 76/80 mm



Features

Finish: **Sand-blast**

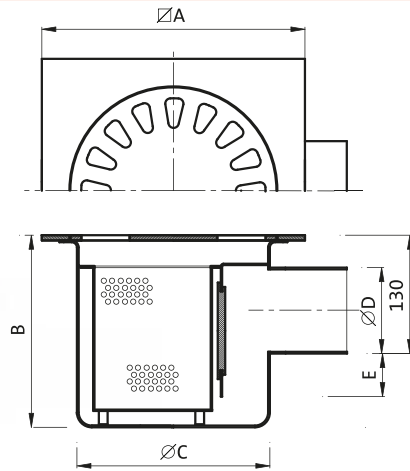
Also available with or without basket and with
cover fastened with a screw.

On request round model.

Item.	Main Measurements (mm)					Capacity (Kg)		Outlet capacity Lt/min.
	\varnothing A	B	\varnothing C	\varnothing D	E	Concentrated load	Distributed load	
P.030L	250	175	195	76	25	850	6500	80
P.016L	250	200	195	80	50	850	6500	80

P.030L/2

**GULLY 250x250,
OUTLET
Ø 76/80 mm**



Features

Finish: **Sand-blast**

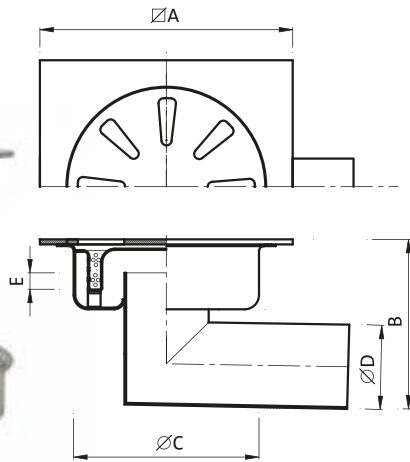
Also available with or without basket and with cover fastened with a screw.

On request round model.

Item.	Main Measurements (mm)					Capacity (Kg)		Outlet capacity Lt/min.
	∅A	B	∅C	∅D	E	Concentrated load	Distributed load	
P030L/2	250	250	195	76 80	60	850	6500	80

P.006L

**GULLY 300x300,
OUTLET
Ø 101,6/110 mm**



Features

Finish: **Sand-blast**

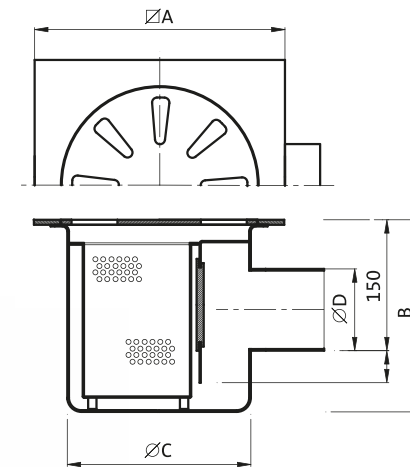
Also available with or without basket and with cover fastened with a screw.

On request round model.

Item.	Main Measurements (mm)					Capacity (Kg)		Outlet capacity Lt/min.
	∅A	B	∅C	∅D	E	Concentrated load	Distributed load	
P.006L	300	200	220	101,6 110	30	850	6500	130
P.005L	300	240	220	101,6 110	60	850	6500	130

P.006L/2

**GULLY 300x300,
OUTLET
Ø 101,6/110 mm**



Features

Finish: **Sand-blast**

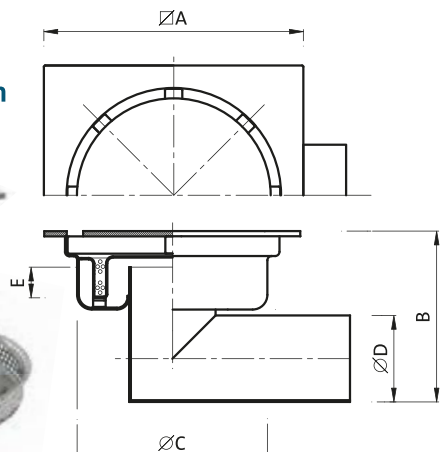
Also available with or without basket and with cover fastened with a screw.

On request round model.

Item.	Main Measurements (mm)					Capacity (Kg)		Outlet capacity Lt/min.
	∅A	B	∅C	∅D	E	Concentrated load	Distributed load	
P006L/2	300	250	220	101,6 110	60	850	6500	130

P.012L

**REINFORCED
GULLY 300x300,
OUTLET
Ø 101,6/110 mm**



Features

Finish: **Sand-blast**

Also available with or without basket and with cover fastened with a screw.

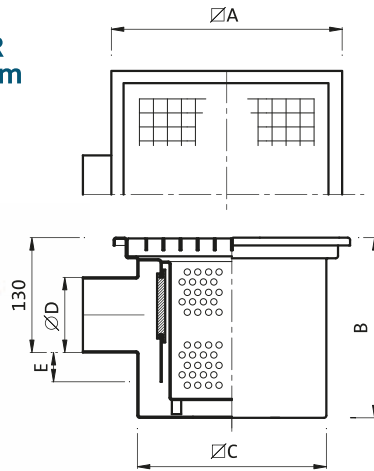
On request round model.

Item.	Main Measurements (mm)					Capacity (Kg)		Outlet capacity Lt/min.
	∅A	B	∅C	∅D	E	Concentrated load	Distributed load	
P.012L	300	200	220	101,6 110	25	1600	16400	130
P.007L	300	260	220	101,6 110	60	1600	16400	130

GULLIES WITH HORIZONTAL OUTLET

PGR.025080L

**GULLY 250x250,
GRATING COVER
OUTLET \varnothing 80 mm**



Features

Finish: **Sand-blast**

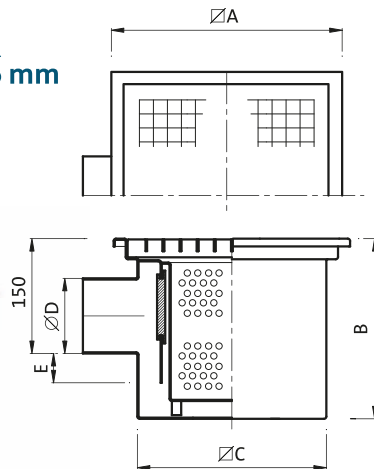
Standard grating cover: bearing surface 25x3 mesh 22x22.

Also available with grating cover in different mesh.

Item.	Main Measurements (mm)					Capacity (Kg)		Capacity Lt/min.
	\varnothing A	B	\varnothing C	\varnothing D	E	Track of wheels		
PGR.025080L	250	250	215	80	60	80x80	120x120	80

PGR.030100L

**GULLY 300x300
GRATING COVER
OUTLET \varnothing 101,6 mm**



Features

Finish: **Sand-blast**

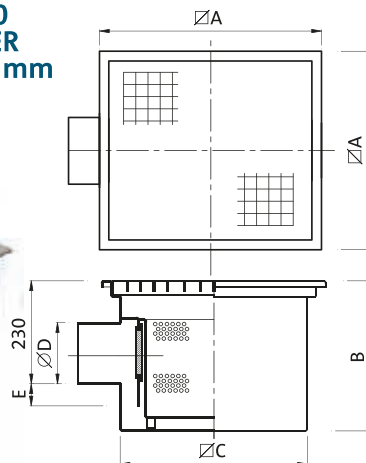
Standard grating cover: bearing surface 25x3 mesh 22x22.

Also available with grating cover in different mesh.

Item.	Main Measurements (mm)					Capacity (Kg)		Capacity Lt/min.
	\varnothing A	B	\varnothing C	\varnothing D	E	Track of wheels		
PGR.030100L	300	250	265	101,6	60	80x80	120x120	130

PGR.040154L

**GULLY 400x400
GRATING COVER
OUTLET \varnothing 154 mm**



Features

Finish: **Sand-blast**

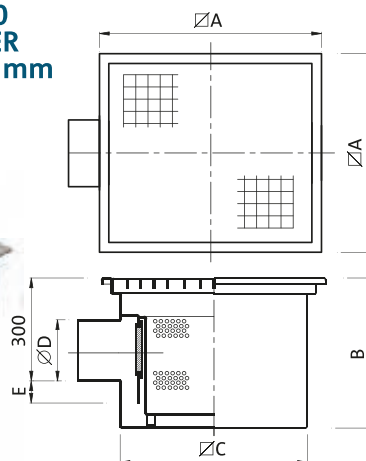
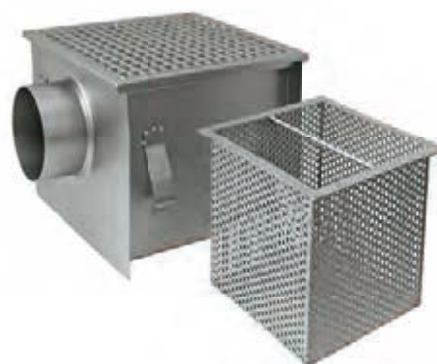
Standard grating cover: bearing surface 25x3 mesh 22x22.

Also available with grating cover in different mesh.

Item.	Main Measurements (mm)					Capacity (Kg)		Capacity Lt/min.
	\varnothing A	B	\varnothing C	\varnothing D	E	Track of wheels		
PGR.040154L	400	350	365	154	60	80x80	120x120	220

PGR.050219L

**GULLY 500x500
GRATING COVER
OUTLET \varnothing 219 mm**



Features

Finish: **Sand-blast**

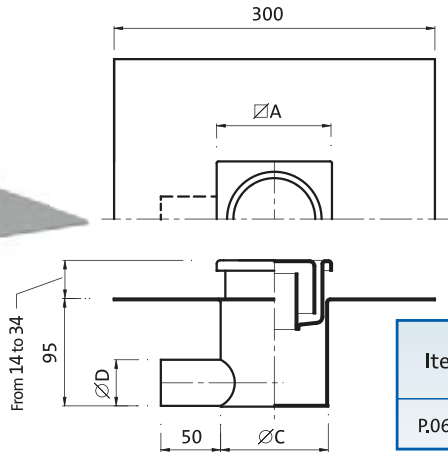
Standard grating cover: bearing surface 30x3 mesh 22x22.

Also available with grating cover in different mesh.

Item.	Main Measurements (mm)					Capacity (Kg)		Capacity Lt/min.
	\varnothing A	B	\varnothing C	\varnothing D	E	Track of wheels		
PGR.050219L	500	450	465	219	60	80x80	120x120	270

P.062T GULLY 100x100
OUTLET \varnothing 40 mm

P.070T



Features

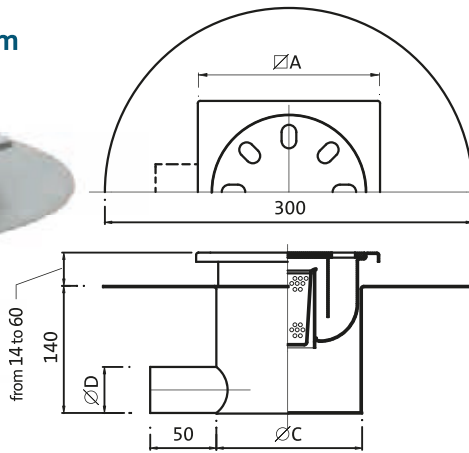
Finish: **Sand-blast**

Also available with or without basket
and on request round model

Applicable for item **P. 070**

Item.	Main Measurements (mm)					Capacity (Kg)		Outlet capacity
	\varnothing A	B	\varnothing C	\varnothing D	E	Concentrated load	Distributed load	Lt/min.
P.062T	100	Variable	90	40	33	200		12

P.002T GULLY 200x200
OUTLET \varnothing 63,5 mm

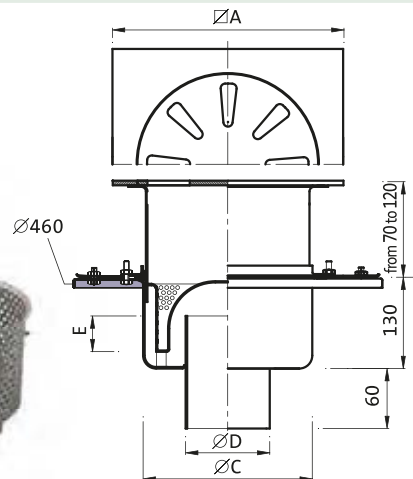


Features

Finish: **Sand-blast**

Item.	Main Measurements (mm)					Capacity (Kg)		Outlet capacity
	\varnothing A	B	\varnothing C	\varnothing D	E	Concentrated load	Distributed load	Lt/min.
P002T	200	Variable	160	63,5	50	850	4600	46

P.005T GULLY 300x300
OUTLET
P.016T \varnothing 101,6/110 mm



Features

Finish: **Sand-blast**

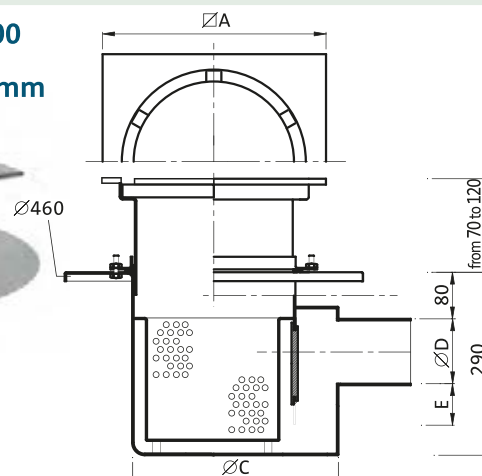
Also available with or without basket and on
request round model

Different heights if necessary.

Applicable for item **P. 016**

Item.	Main Measurements (mm)					Capacity (Kg)		Outlet capacity
	\varnothing A	B	\varnothing C	\varnothing D	E	Concentrated load	Distributed load	Lt/min.
P005T	300	Variable	220	101,6 110	60	850	6500	130

P.007T GULLY 300x300
OUTLET
P.010T \varnothing 101,6/110 mm



Features

Finish: **Sand-blast**

Also available with or without basket and on
request round model

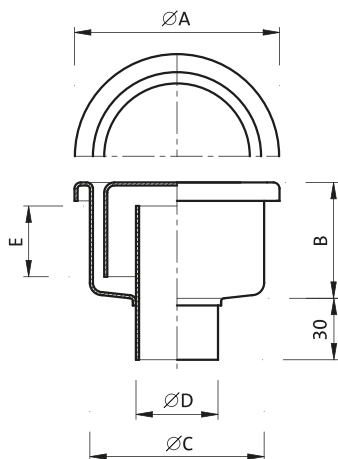
Different heights if necessary.

Applicable for item **P. 010**

Item.	Main Measurements (mm)					Capacity (Kg)		Outlet capacity
	\varnothing A	B	\varnothing C	\varnothing D	E	Concentrated load	Distributed load	Lt/min.
P.007T	300	Variable	250	101,6 110	60	1600	16400	130

ROUND GULLIES (several kinds)

P.042 GULLY \varnothing 100 mm
OUTLET \varnothing 40 mm



Features

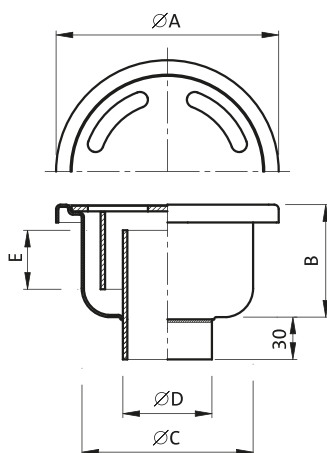
Finish: **Sand-blast** or **polished**
Also available with or without basket.

N.B.:

**Available \varnothing 150mm version
outlet \varnothing 50mm**

Item.	Main Measurements (mm)					Capacity (Kg)		Outlet capacity Lt/min.
	$\varnothing A$	B	$\varnothing C$	$\varnothing D$	E	Concentrated load	Distributed load	
P042	100	56	85	40	33	200	-	12

P.031 GULLY \varnothing 100 mm
OUTLET \varnothing 40 mm

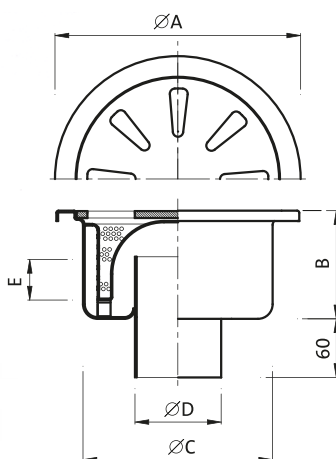


Features

Finish: **Sand-blast**
Also available with or without basket.

Item.	Main Measurements (mm)					Capacity (Kg)		Outlet capacity Lt/min.
	$\varnothing A$	B	$\varnothing C$	$\varnothing D$	E	Concentrated load	Distributed load	
P031	100	55	80	40	20	200	-	12

P.040 GULLY \varnothing 285 mm
OUTLET \varnothing 101,6/110 mm

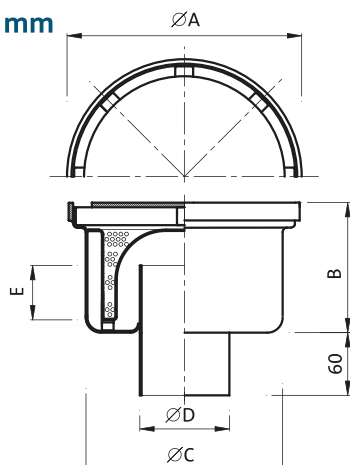


Features

Finish: **Sand-blast**
**Also available with or without basket and
with cover fastened with a screw.**

Item.	Main Measurements (mm)					Capacity (Kg)		Outlet capacity Lt/min.
	$\varnothing A$	B	$\varnothing C$	$\varnothing D$	E	Concentrated load	Distributed load	
P040	285	130	220	101,6 110	60	950	7500	130

P.037 REINFORCED GULLY \varnothing 260 mm
OUTLET \varnothing 101,6/110 mm

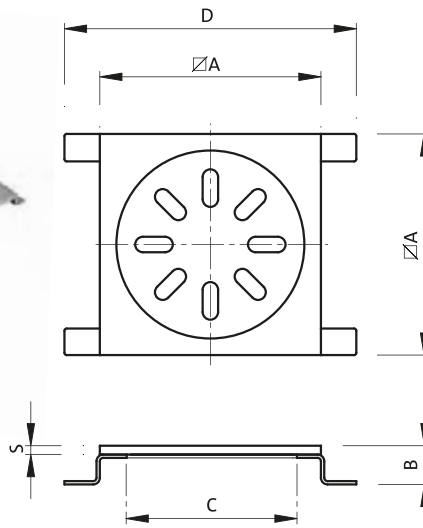
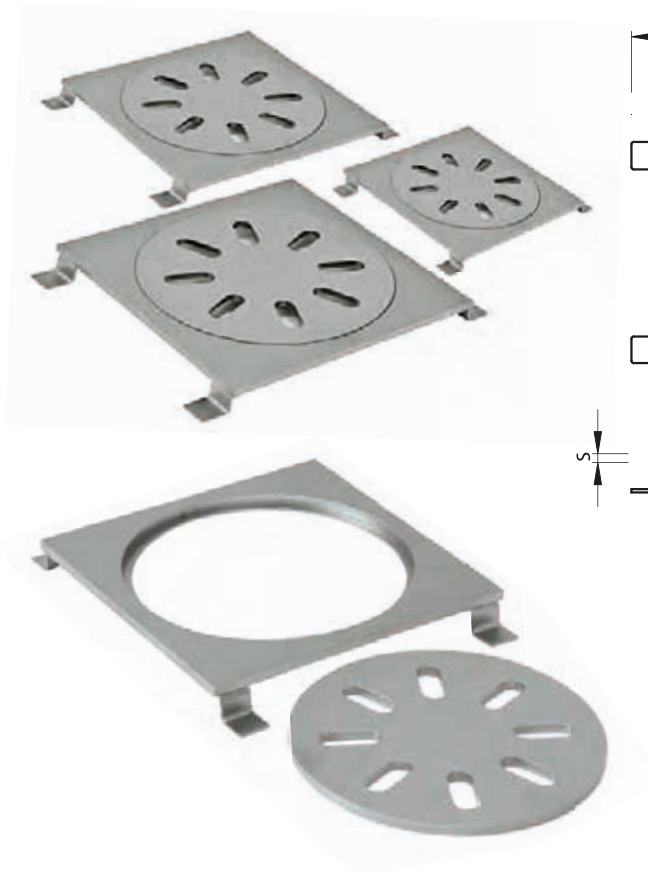


Features

Finish: **Sand-blast**
**Also available with or without basket and
with cover fastened with a screw.**
On request lower version.
Also available with anti-skid version.

Item.	Main Measurements (mm)					Capacity (Kg)		Outlet capacity Lt/min.
	$\varnothing A$	B	$\varnothing C$	$\varnothing D$	E	Concentrated load	Distributed load	
P037	260	150	220	101,6 110	60	1600	16400	130

ISP.12x12 LIGHT INSPECTION



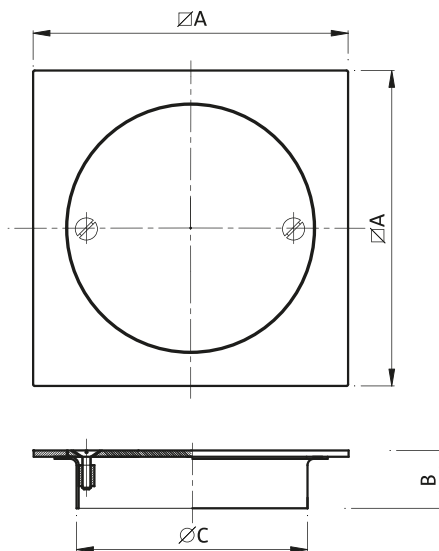
Features
Finish: **Sand-blast**

Item.	Main Measurements (mm)				
	$\varnothing A$	B	$\varnothing C$	D	S
ISP 10x10	100x100	20	80	130	4
ISP 12x12	125x125	20	100	155	4
ISP 15x15	150x150	20	120	180	4

ISP.3x3 INSPECTION GULLIES



Also available anti-skid version.



Features
Finish: **Sand-blast.**
Also available with surface anti-skid.
With screws, without seals.

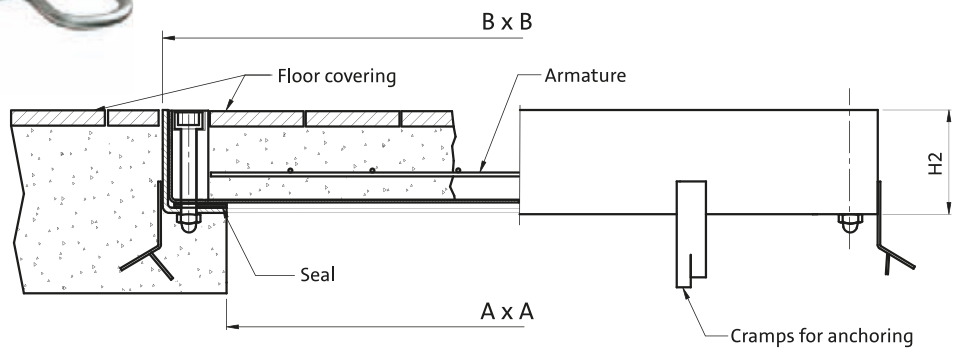
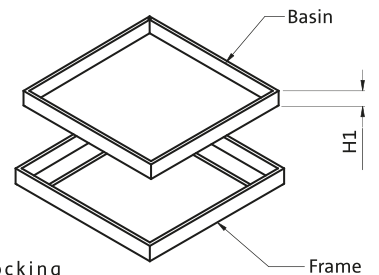
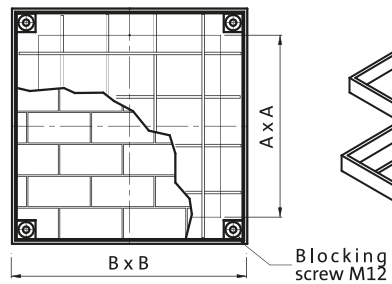


Item.	Main Measurements (mm)			Capacity (Kg)	
	$\varnothing A$	B	$\varnothing C$	Concentrated load	Distributed load
ISP 2x2	200	100	154	1000	5000
ISP 3x3	300	100	215	1000	5000
ISP 4x4	400	100	315	900	3500
ISP 5x5	500	100	425	800	3000
ISP 6x6	600	100	495	750	2800

INSPECTION FRAME WATER TIGHT

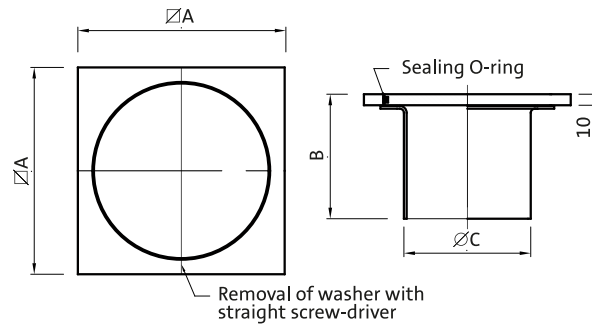
CT.400

INSPECTIONS
FRAME WATER
TIGHT



Item.	Main Measurements (mm)				Capacity (Kg)
	AxA	BxB	H1	H2	Concentrated load track of wheels 150x150
CT.300	300x300	400x400	72	80	Kg. 5400
CT.400	400x400	500x500	72	80	Kg. 3600
CT.500	500x500	600x600	72	80	Kg. 2400
CT.600	600x600	700x700	72	80	Kg. 1500
CT.700	700x700	800x800	72	80	Kg. 1200
CT.800	800x800	900x900	72	80	Kg. 900

CLO 15x15



Features

Finish: **Sand-blast**
Also available in round version.

Item	Main Measurements (mm)		
	$\varnothing A$	B	$\varnothing C$
CLO 10x10	100	100	75 / 80
CLO 15x15	150	100	100 / 110

SPECIAL APPLICATIONS

GULLIES WITH FLANGE FOR INSULATION



Notes:

On all standard and lower models, with vertical or horizontal discharge.
 On all unions it is possible to have an upper flange with screws for securing the insulation.

GULLIES WITH PIPE UNION



Notes:

On all standard and lower models, with vertical discharge.
 Also possible to have an upper flange with screws for securing the insulation.

GULLIES WITH FRAME



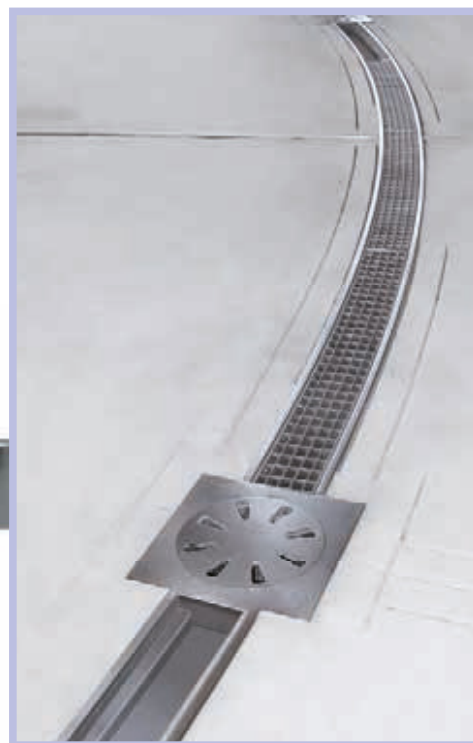
Notes:

On all models with plate surface, in standard or lower versions with vertical discharge.

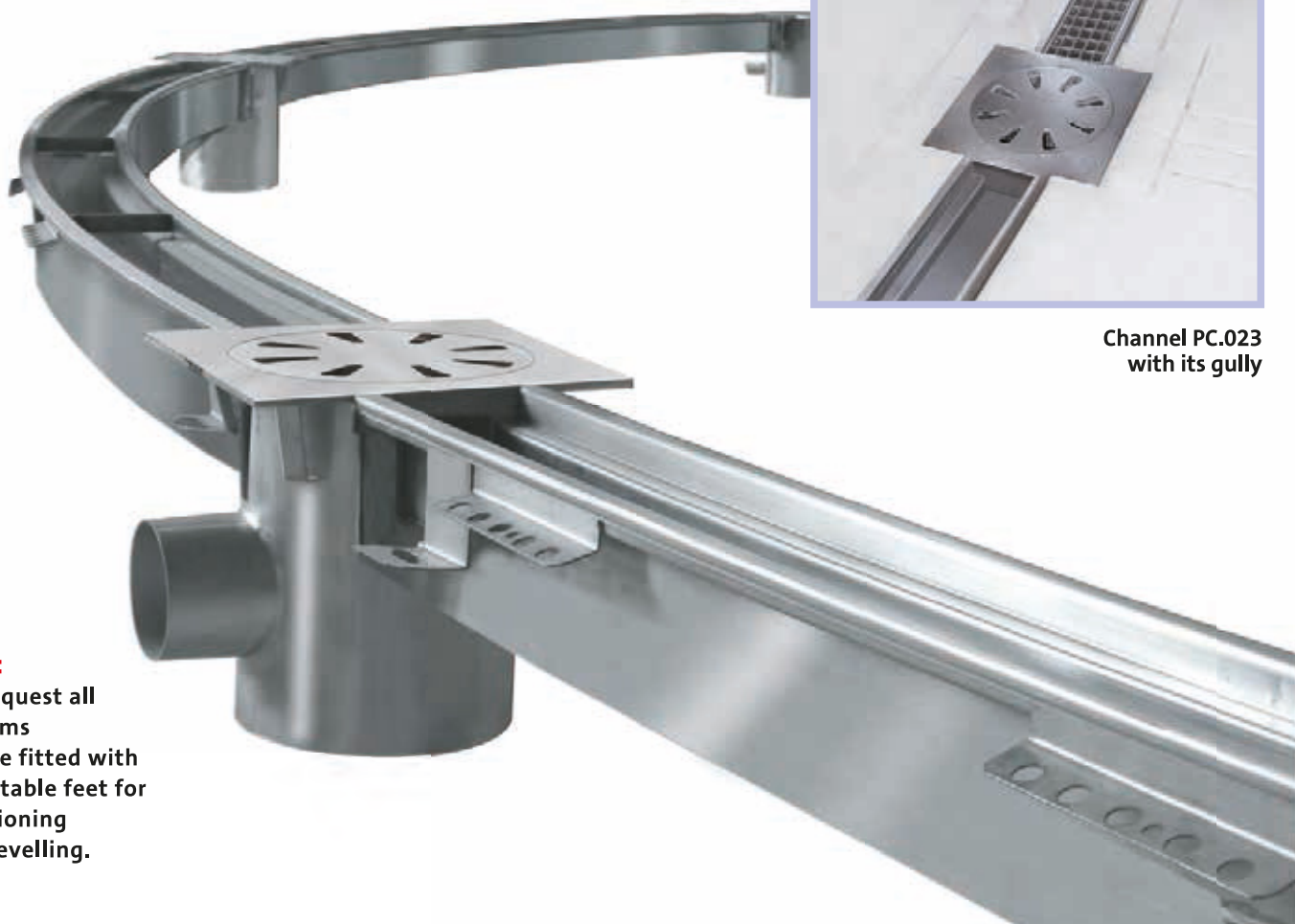


Our company always gives priority to meeting fully the needs of our clients, and for this reason during the course of the last few years in responding to them we have been able to develop specific products, as in this case, channels with a curvilinear profile.

There are no reference parameters as each type of channel is capable of being individually shaped.



Channel PC.023 with its gully



N.B.:
On request all systems can be fitted with adjustable feet for positioning and levelling.



Example of PC.001 channel and PC110 channel with related gully



® Registered trade mark

PC.001

The "Leoni" slot channels is the ideal solution for the drainage of industrial flooring of all types.

Manufactured entirely of AISI 304 stainless steel (or AISI 316 on request), combined with 300 x 300 mm collection gullies they are easily washed and inspected and the aspects of hygiene and cleanliness are provided for in compliance with Community regulations.

Protection from sewerage discharge is ensured by an anti-smell siphon and by a removable filter basket.

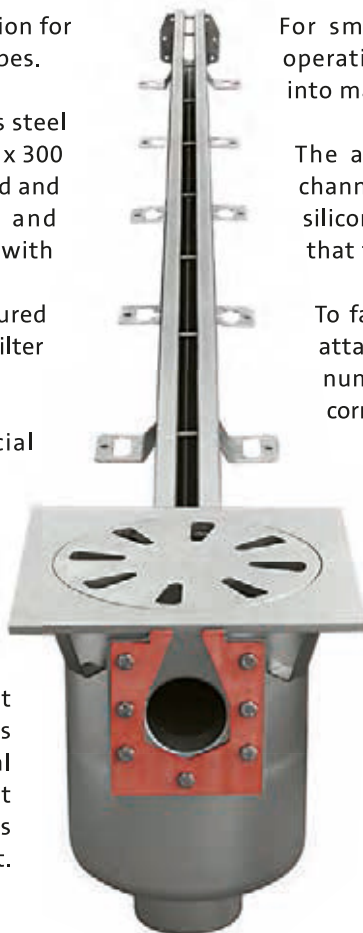
Their structure, thanks also to the special cramps for anchoring in concrete make the channel especially tough in situations with high levels of flow-rate.

The construction of these systems is carried out completely in accordance with the requirements of the customer with one of our support technicians; in fact every quotation will be provided with its associated drawing showing the principal technical characteristics. In the event that the supply is for large quantities the various modules can be supplied in lengths of 6.00 mt.

For small supplies, to optimise the transport operations, the various pieces can be assembled into maximum lengths of 4.00 mt.

The assembly of the various gullies and the channels is provided for by means of flanges with silicon seals that are secured with bolts to ensure that they remain water-tight.

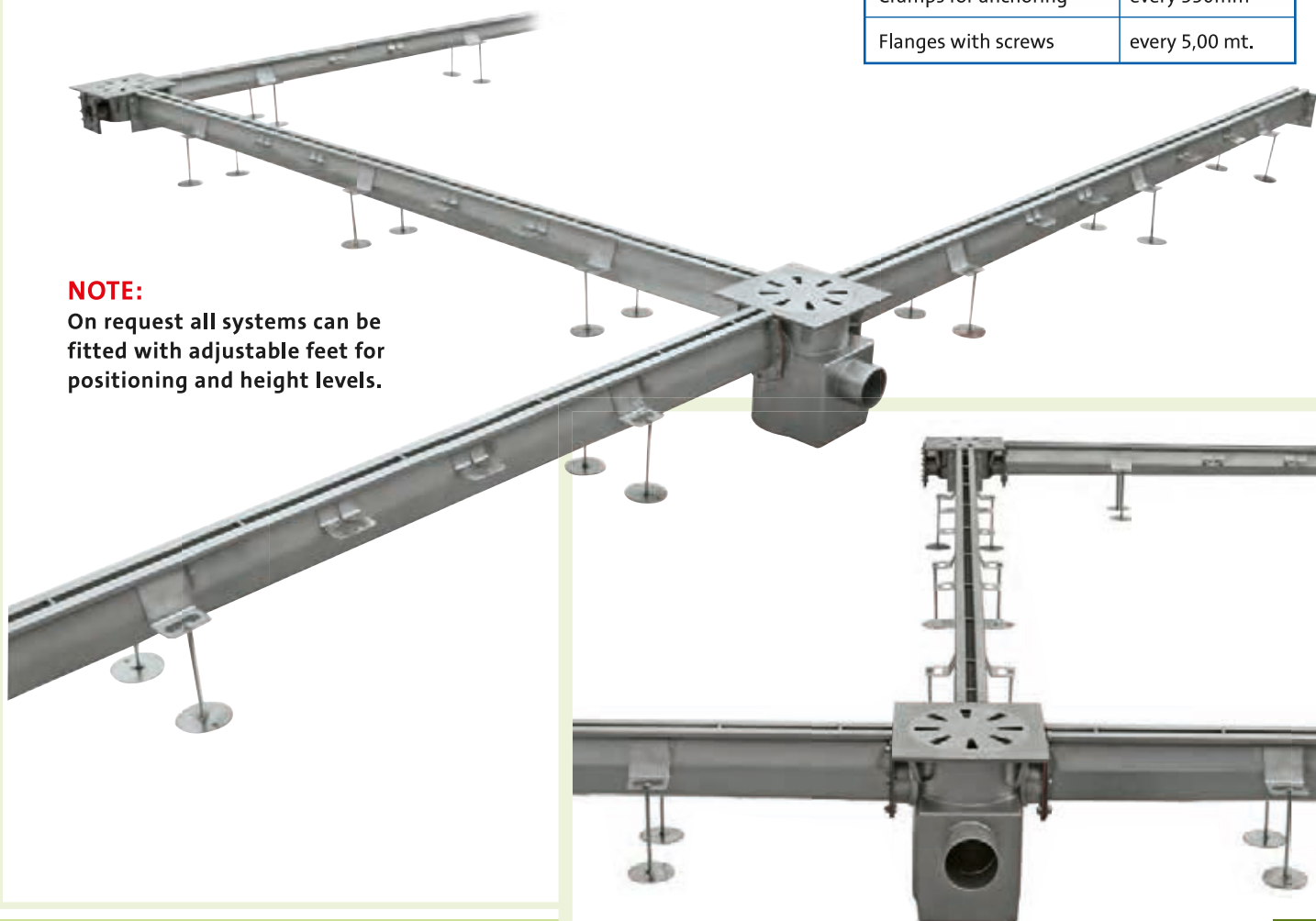
To facilitate the installation, a drawing will be attached to the material showing a system of numbering for installation of the pieces in the correct sequence.



Main features	
Channel width	70mm
Channel slot	18mm
Thickness of material	2mm (3mm on request)
Drainage slope	0,5% (5mm per linear metre)
Minimum height	70mm
Maximum height	220mm (30 metres)
Max. transport length	5,00 mt.
Spacing rods	every 330mm
Cramps for anchoring	every 330mm
Flanges with screws	every 5,00 mt.

NOTE:

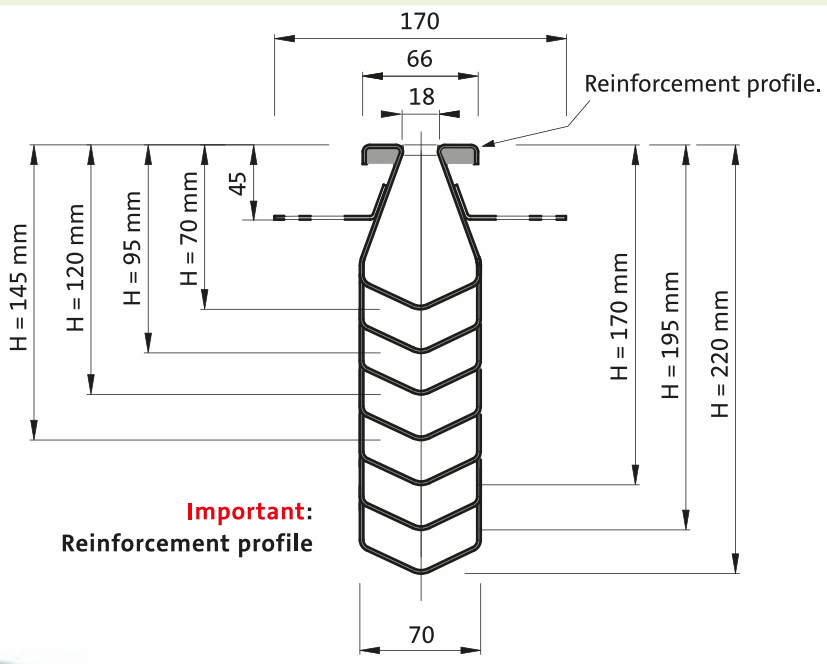
On request all systems can be fitted with adjustable feet for positioning and height levels.



STAINLESS STEEL SLOT CHANNELS

PC.001

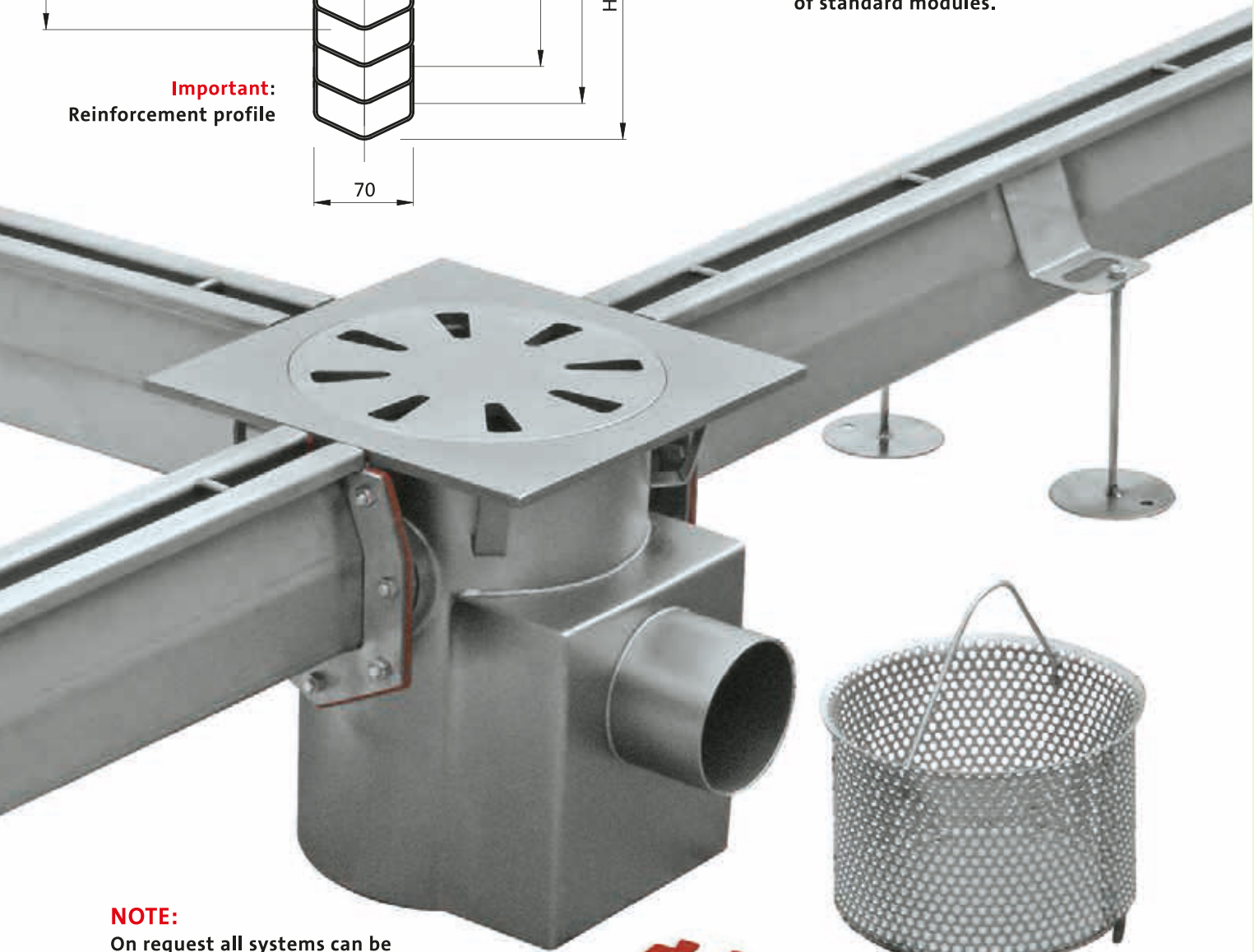




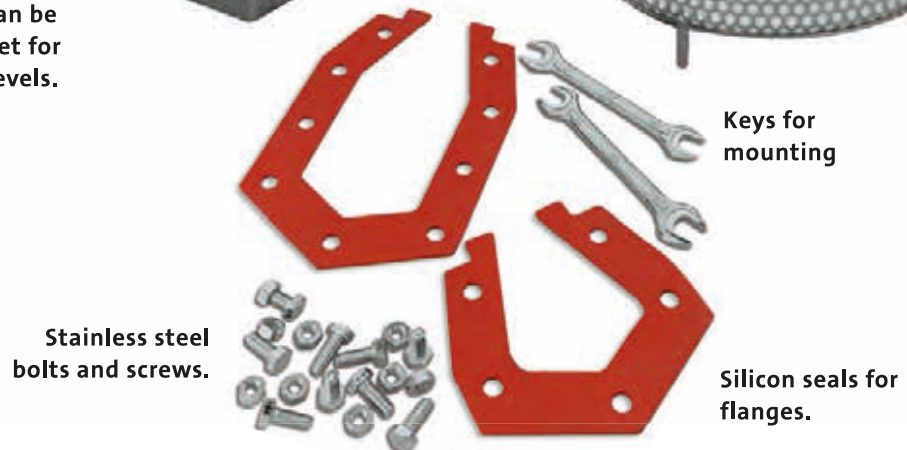
Section of the channel with a sequence of the variation of the slope up to 30.00 mt; the heights are with reference to module lengths of 5.00 mt. Obviously in the warehouse there are modules with lengths other than 5.00 mt. For example, 1.00 mt, 1.50 mt, 2.00 mt, 2.50 mt, 3.00 mt, 3.50 mt, 4.00 mt, and 4.50 mt.

NOTE: Work is regularly carried out with totally personalised lengths taking no account of standard modules.

Important:
Reinforcement profile



NOTE:
On request all systems can be fitted with adjustable feet for positioning and height levels.



Stainless steel bolts and screws.

Keys for mounting

Silicon seals for flanges.

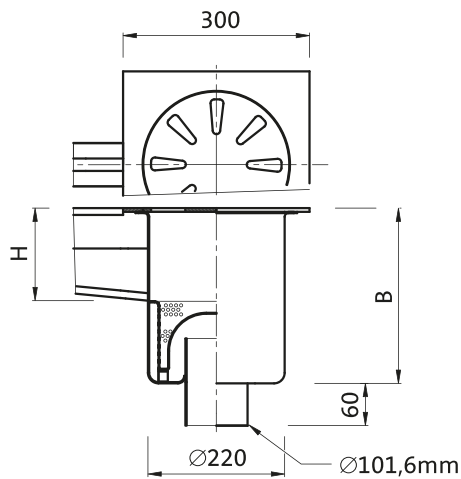
SLOT CHANNELS SYSTEMS WITH VERTICAL DISCHARGE



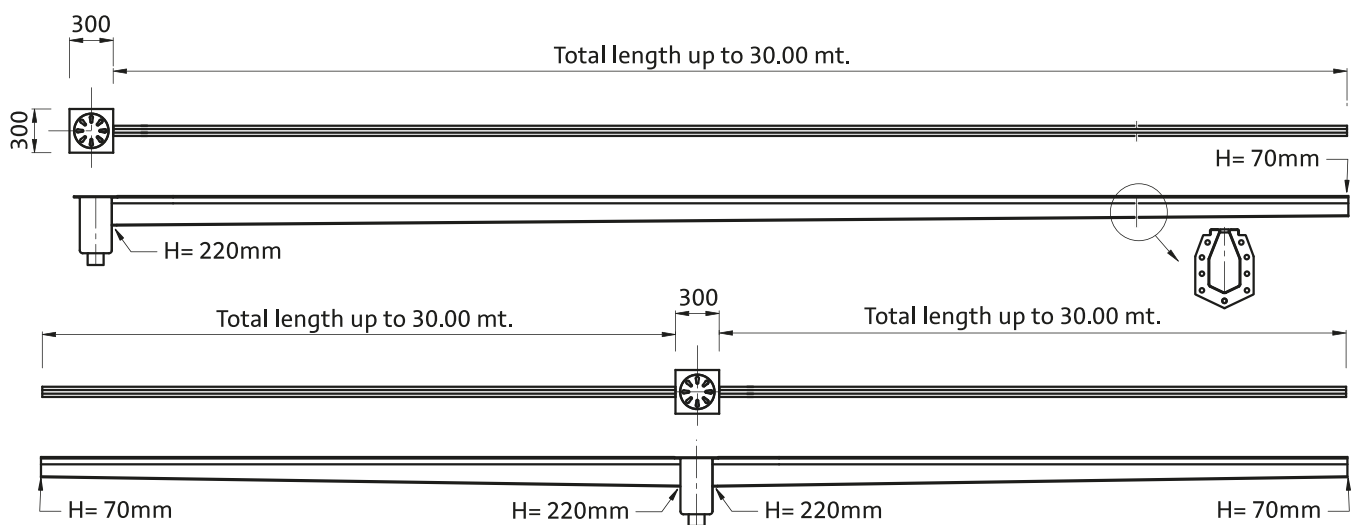
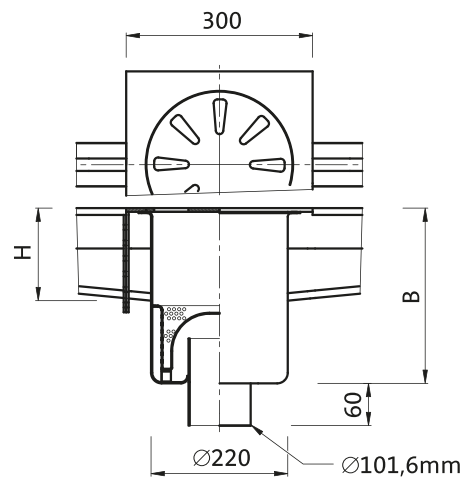
NOTE:

On request all systems can be fitted with adjustable feet for positioning and height levels.

PC.002V GULLY SINGLE CONNECTION WITH VERTICAL DISCHARGE



PC.003V GULLY DOUBLE CONNECTION WITH VERTICAL DISCHARGE



NOTE:

All systems are produced in accordance with the requirements of the customer, hence parameters such as length and position of the discharges are not binding.

Channel length	Channel height "H" on the gully	Size "B"
Up to MT. 5,00	95mm	265mm
From MT. 5 to MT. 10	120mm	290mm
From MT. 10 to MT. 15	145mm	315mm
From MT. 15 to MT. 20	170mm	340mm
From MT. 20 to MT. 25	195mm	365mm
From MT. 25 to MT. 30	220mm	390mm

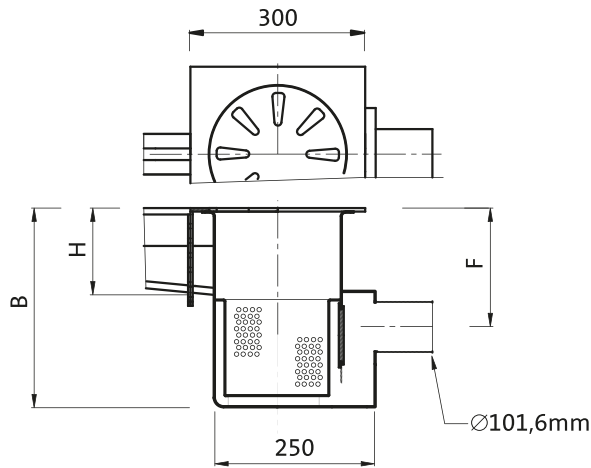
SLOT CHANNEL SYSTEMS WITH HORIZONTAL DISCHARGE



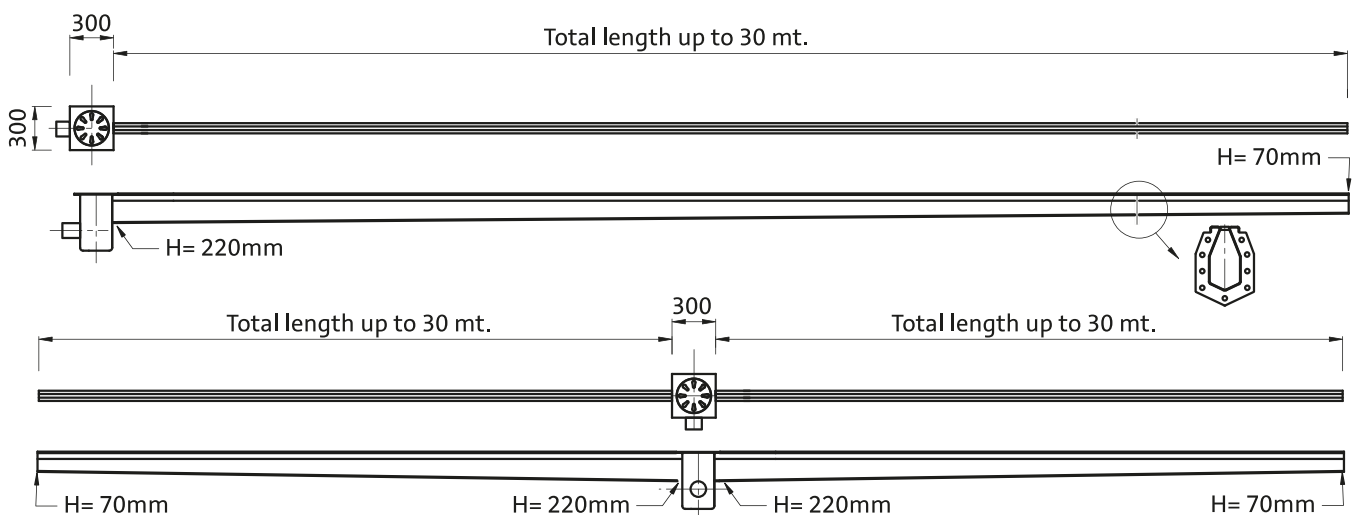
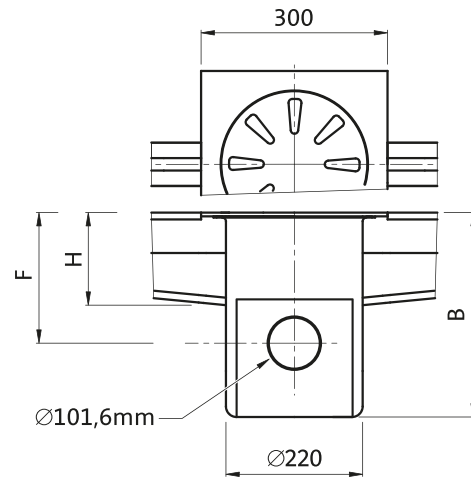
NOTE:

On request all systems can be fitted with adjustable feet for positioning and height levels.

PC.002L GULLY WITH SINGLE CONNECTION FOR CHANNEL, HORIZONTAL DISCHARGE.



PC.003L GULLY WITH DOUBLE CONNECTION FOR CHANNEL, HORIZONTAL DISCHARGE.



NOTE:

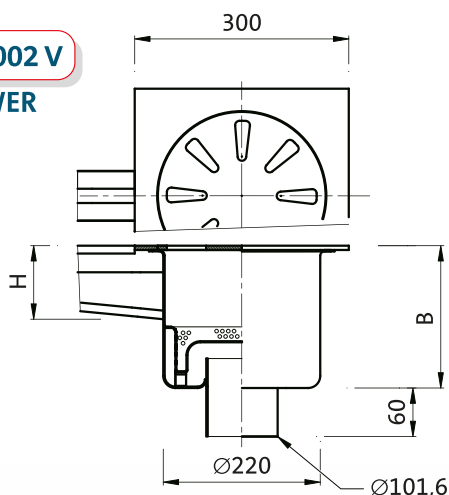
All systems are produced in accordance with the requirements of the customer, hence parameters such as length and position of the discharges are not binding.

Channel length	Channel height "H" on the gully	Size "B"	Middle discharge depth "F"
Up to MT. 5,00	95mm	280mm	130mm
From MT. 5 to MT. 10	120mm	305mm	155mm
From MT. 10 to MT. 15	145mm	330mm	180mm
From MT. 15 to MT. 20	170mm	355mm	205mm
From MT. 20 to MT. 25	195mm	380mm	230mm
From MT. 25 to MT. 30	220mm	405mm	255mm

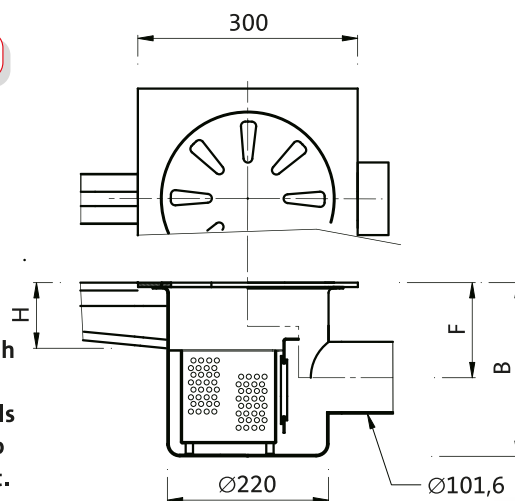
SLOT CHANNELS SYSTEMS WITH LOWER GULLIES

Especially for situations with problems of height on the footings it is possible to opt for lower gullies both with vertical or horizontal discharges, sizeable according to the length of the channel.

PC.002 V
LOWER



PC.002 L
LOWER



NOTE:
Example of gullies with the least depth achievable for channels with lengths of up to 5.00 mt and 10.00 mt.



NOTE:
If necessary is possible to do more low.

Channel length	Channel height "H" on gully	Size "B"
Up to MT. 5,00	95mm	210mm
From MT. 5 fino a MT. 10	120mm	235mm

Channel length	Channel height "H" on gully	Size "B"	Middle discharge depth "F"
Up to MT. 5,00	95mm	230mm	100mm
From MT. 5 fino a MT. 10	120mm	255mm	125mm

SPECIAL APPLICATIONS



On request the pipes below the channel with its associated connections and mounted using flanges and seals can be made with stainless steel.

SMALL CHANNELS FOR TERRACES



Particularly small channels made of 2 mm thick AISI 304 stainless steel for the drainage of water from balconies and terraces. The feature of a removable cover also makes it very convenient when it comes to cleaning. They are fitted with flanges along the perimeter to provide a perfect seal with the sealing gasket.

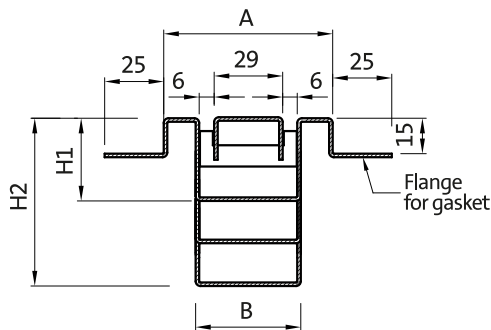
The discharges are fitted at the points requested with either horizontal or vertical pipes, that in turn are connected to the drain wells. Manufacture is tailored to each client's needs.

Main features

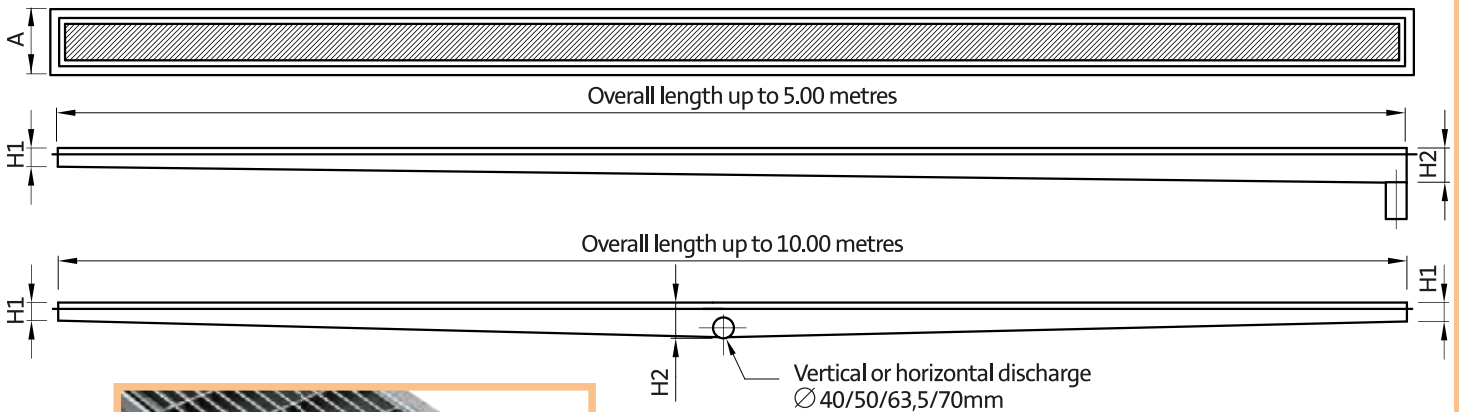
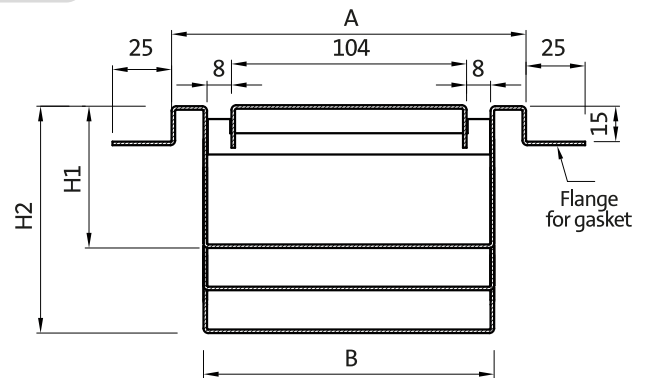
- Thickness of channel:2mm
- Thickness of cover:3mm
- Minimum height:H1 = 35mm (Art. CB.070)
H1 = 60mm (Art. CB.150)
- Maximum height:H2 = 70mm (Art. CB.070)
H2 = 95mm (Art. CB.150)
- Rate of fall:7mm/metre

- Piece lengths up to 5.00 metres with slope in a single direction and end discharge.
- Piece lengths up to 10.00 metres with dual slope. Centre discharge.
- In addition the 5.00 metre lengths have flanges with gaskets and screws

CB.070 CB.070 WITH Ø 40/50 mm DIAMETER.



CB.150 CB.150 WITH Ø 40/50/63.5/70 mm



Manufactured with flat edged channels and grille covers for greater drainage of water

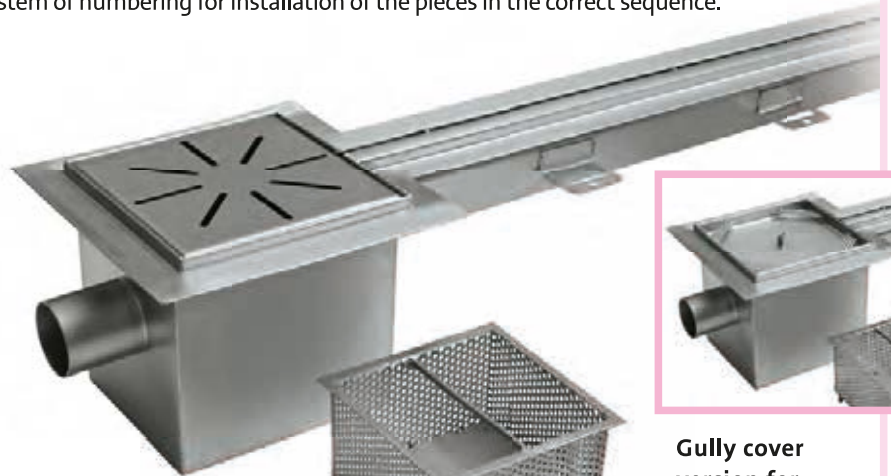
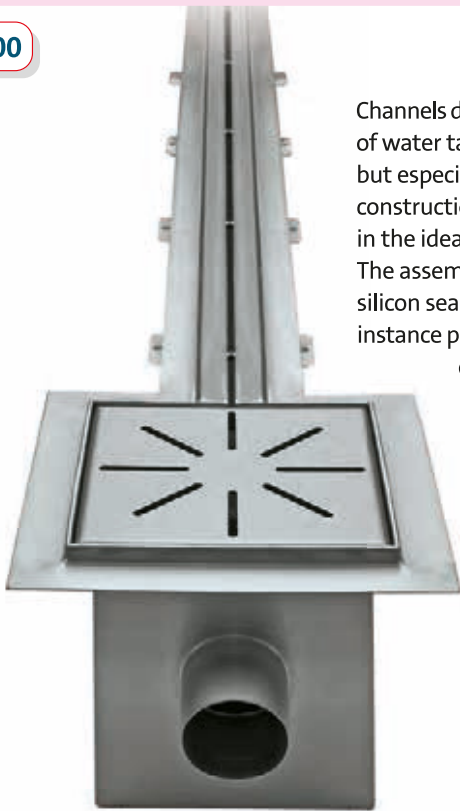
Item	Principal dimensions (mm)			
	Width A	Width B	H1	H2
CB.070	71	45	35	70
CB.150	150	124	60	95

CHANNELS FOR SWIMMING POOLS

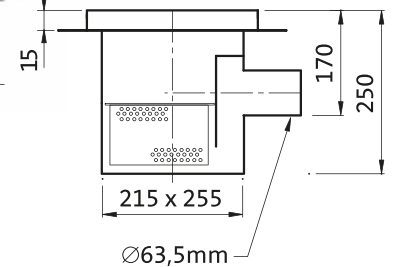
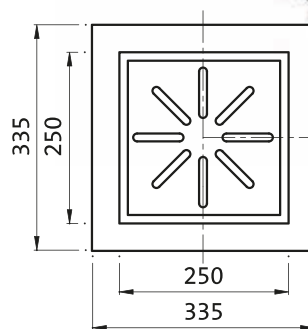
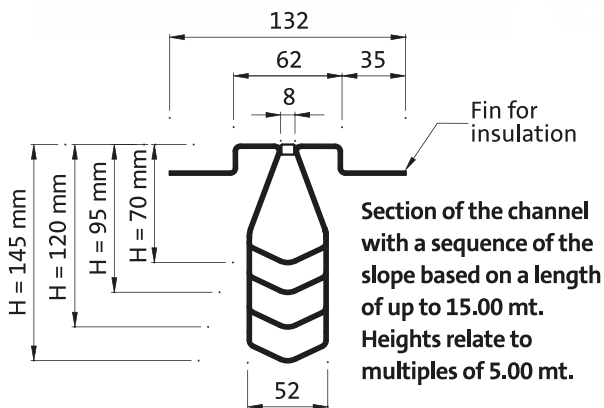
PC.100

Channels designed specifically for swimming pools, changing rooms, shower rooms; the discharge of water takes place through a narrow slot of up to 8 mm. They are constructed in AISI 304, but especially also in AISI 316 for use in environments with high levels of chlorine. Their constructional form with perimeter wings makes it possible to secure the insulating material in the ideal way. The inspection gullies have a siphon and are equipped with a filter basket. The assembly of the various gullies and the channels is provided for by means of flanges with silicon seals that are secured with bolts to ensure that they remain water-tight. Even in this instance parameters such as length, height, position of the discharges, can be varied depending on individual requirements.

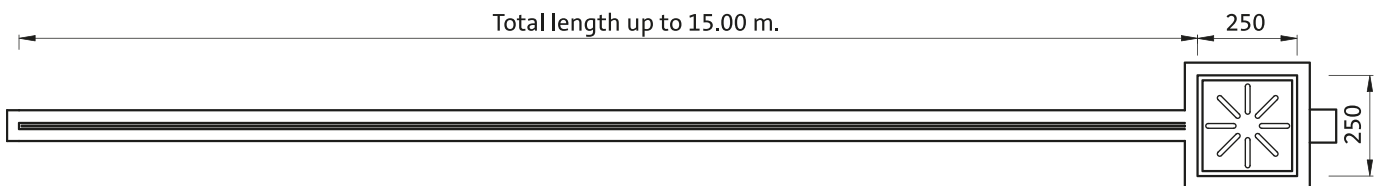
To facilitate the installation, the materials are provided with a drawing showing a system of numbering for installation of the pieces in the correct sequence.



Gully cover version for flooring



Total length up to 15.00 m.



H = 70mm

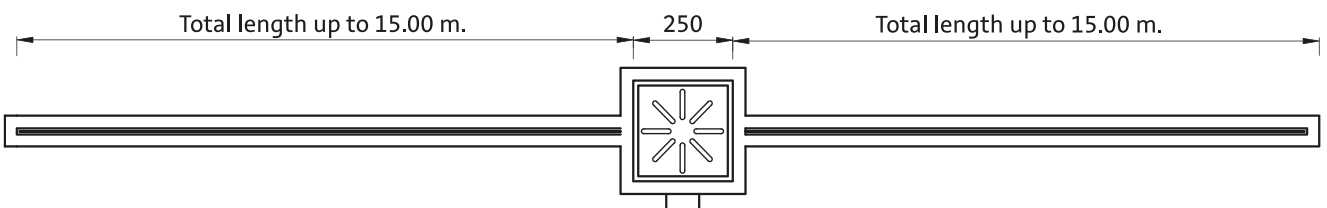
H = 145mm
215 x 255

80

Total length up to 15.00 m.

250

Total length up to 15.00 m.

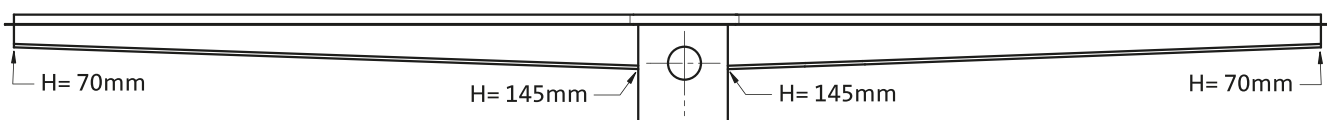


H = 70mm

H = 145mm

H = 145mm

H = 70mm

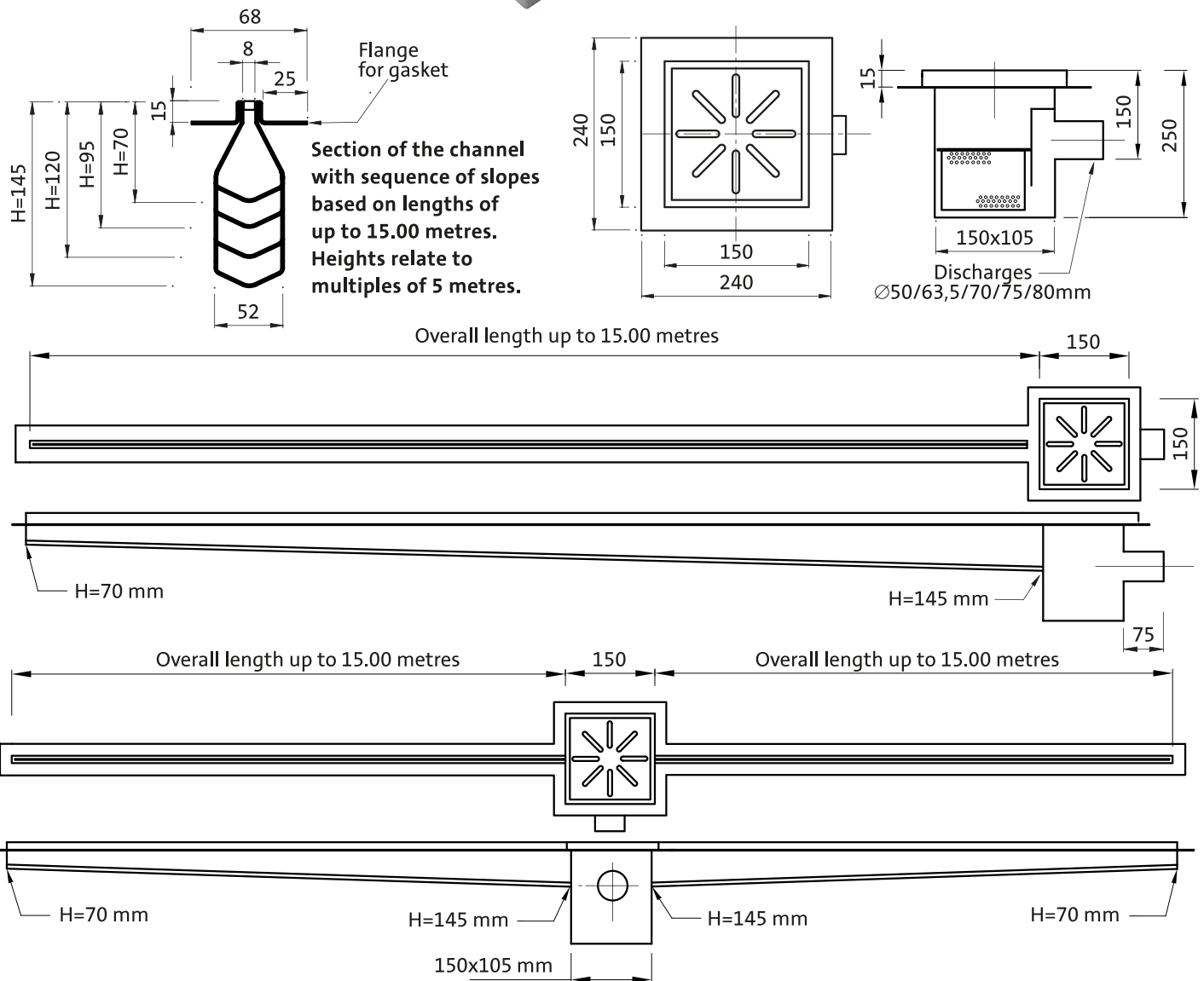
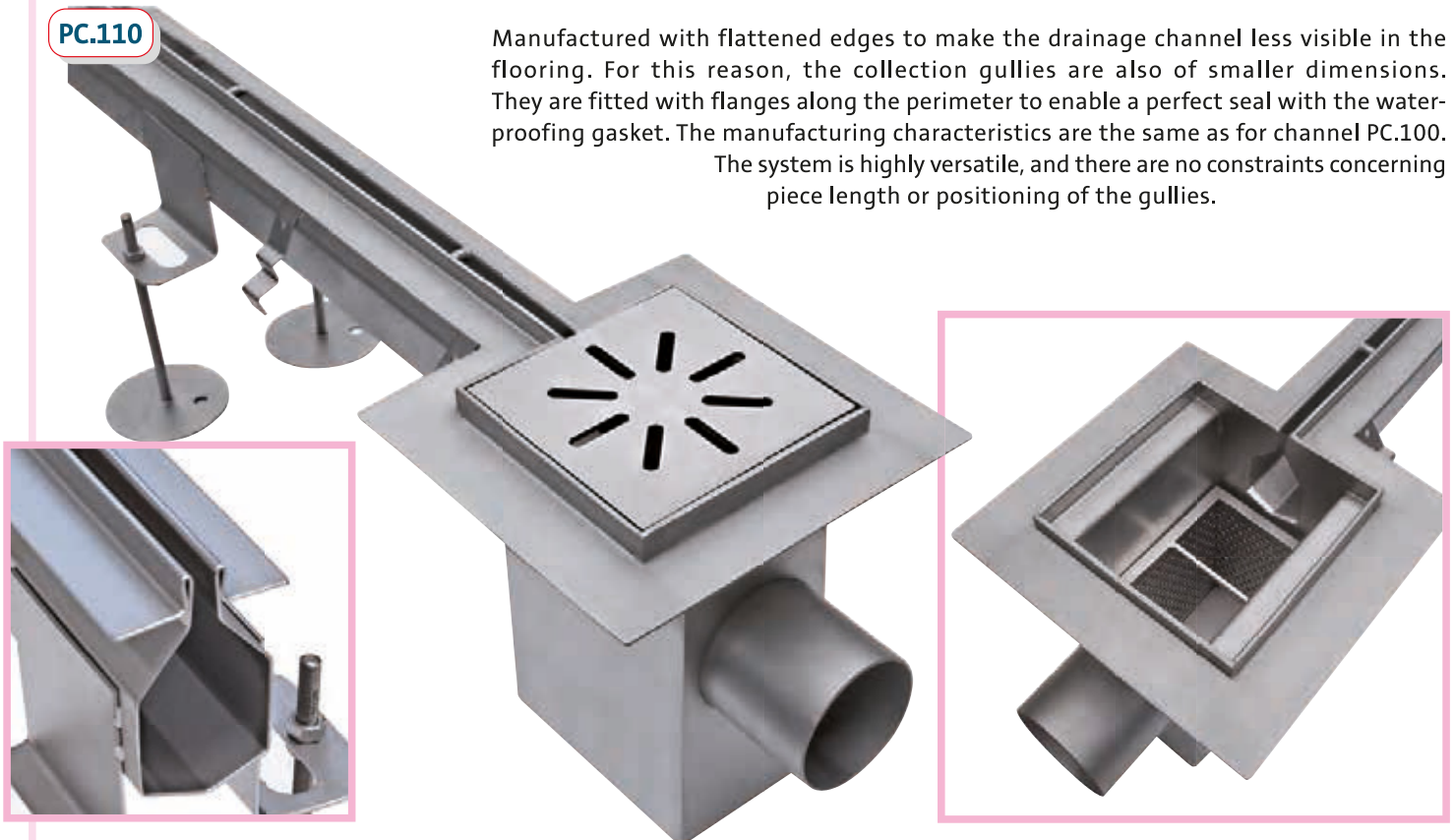


FLAT EDGE CHANNELS FOR SWIMMING POOLS

PC.110

Manufactured with flattened edges to make the drainage channel less visible in the flooring. For this reason, the collection gullies are also of smaller dimensions. They are fitted with flanges along the perimeter to enable a perfect seal with the waterproofing gasket. The manufacturing characteristics are the same as for channel PC.100.

The system is highly versatile, and there are no constraints concerning piece length or positioning of the gullies.



CHANNELS FOR SHOWERS



NOTE:

It is possible to turn the discharge pipe through 360°. If you wish to reduce the depth of the point of discharge, this can be done by fitting just the pipe and eliminating the U-trap

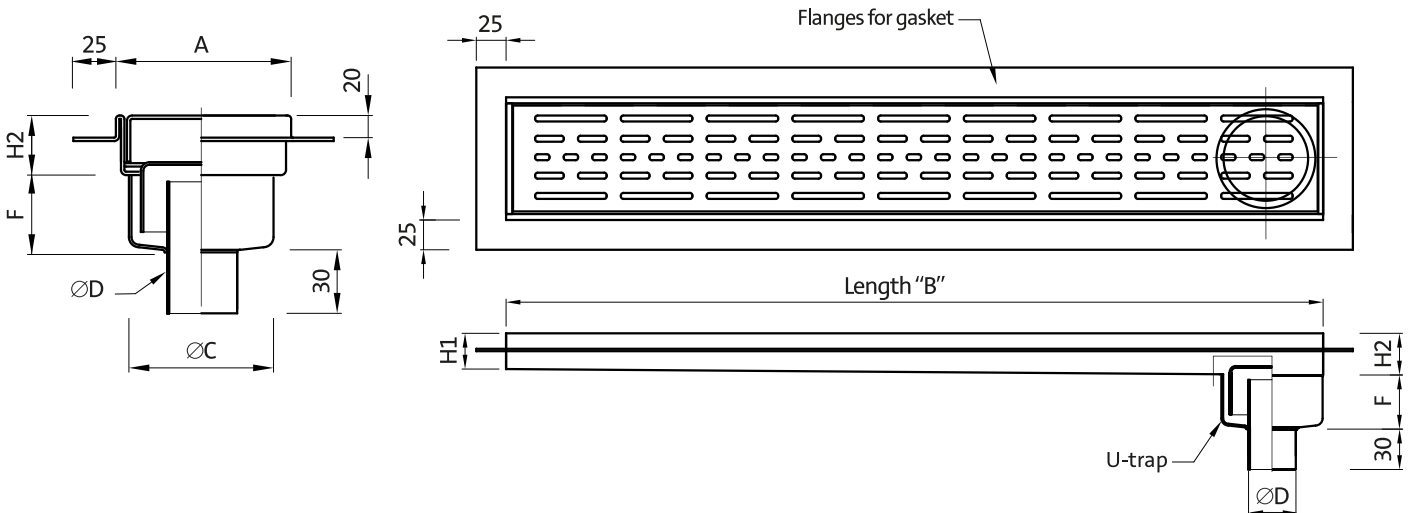


Designed for water drainage from all kinds of shower areas, for private use rather than in spas, fitness centres or sports facilities.

Manufactured in 2mm thick AISI 304 (or AISI 316) stainless steel, they are fitted with flanges along the perimeter to enable a perfect seal to the waterproofing gasket.

The cover can be tailored as can the length and the positioning of the discharges.

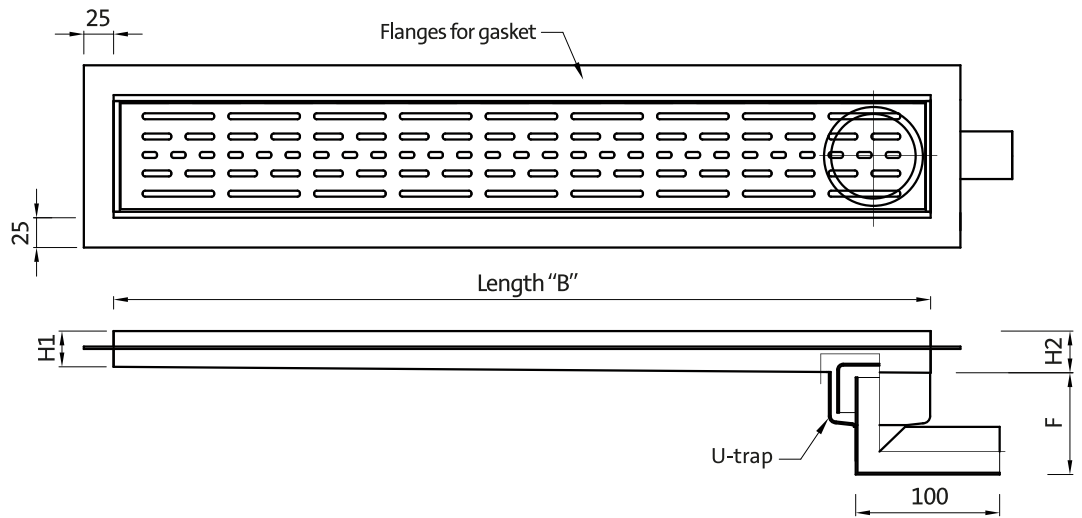
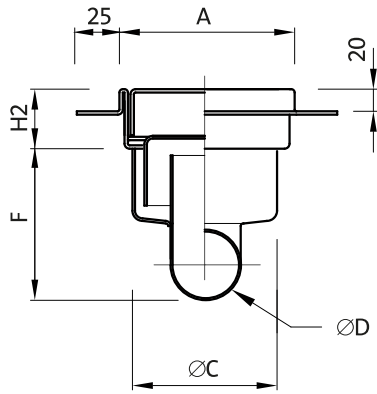
The standard dimensions are shown in the table.



Principal dimensions (mm)						
Item	dim "A"x "B"	Alt. "H1"	Alt. "H2"	ØC	F	ØD
CDC.13400V	130x400mm	25	30	110	65	Ø50mm
CDC.13500V	130x500mm	25	30	110	65	Ø50mm
CDC.13600V	130x600mm	25	30	110	65	Ø50mm
CDC.13700V	130x700mm	25	30	110	65	Ø50mm
CDC.13800V	130x800mm	25	30	110	65	Ø50mm
CDC.13900V	130x900mm	25	30	110	65	Ø50mm
CDC.131000V	130x1000mm	25	30	110	65	Ø50mm

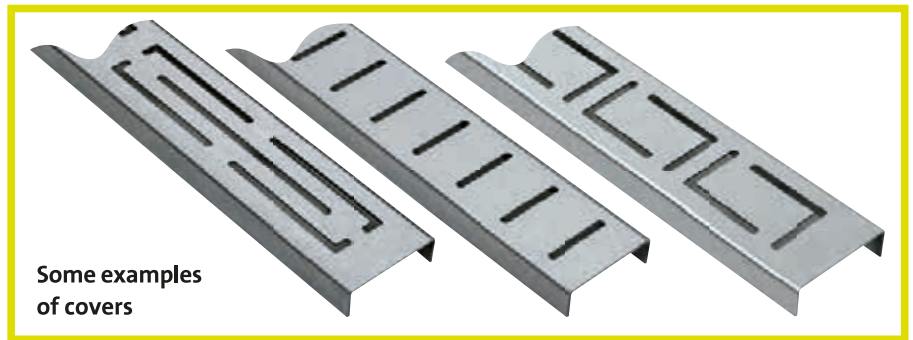
Principal dimensions (mm)						
Item	dim "A"x "B"	Alt. "H1"	Alt. "H2"	ØC	F	ØD
CDC.10400V	103x400mm	25	30	85	45	Ø40mm
CDC.10500V	103x500mm	25	30	85	45	Ø40mm
CDC.10600V	103x600mm	25	30	85	45	Ø40mm
CDC.10700V	103x700mm	25	30	85	45	Ø40mm
CDC.10800V	103x800mm	25	30	85	45	Ø40mm
CDC.10900V	103x900mm	25	30	85	45	Ø40mm
CDC.101000V	103x1000mm	25	30	85	45	Ø40mm

SMALL CHANNELS FOR SHOWERS



Principal dimensions (mm)						
Item	dim "A"x "B"	Alt. "H1"	Alt. "H2"	ØC	F	ØD
CDC.13400L	130x400mm	25	30	110	125	Ø50mm
CDC.13500L	130x500mm	25	30	110	125	Ø50mm
CDC.13600L	130x600mm	25	30	110	125	Ø50mm
CDC.13700L	130x700mm	25	30	110	125	Ø50mm
CDC.13800L	130x800mm	25	30	110	125	Ø50mm
CDC.13900L	130x900mm	25	30	110	125	Ø50mm
CDC.131000L	130x1000mm	25	30	110	125	Ø50mm

Principal dimensions (mm)						
Item	dim "A"x "B"	Alt. "H1"	Alt. "H2"	ØC	F	ØD
CDC.10400L	103x400mm	25	30	85	95	Ø40mm
CDC.10500L	103x500mm	25	30	85	95	Ø40mm
CDC.10600L	103x600mm	25	30	85	95	Ø40mm
CDC.10700L	103x700mm	25	30	85	95	Ø40mm
CDC.10800L	103x800mm	25	30	85	95	Ø40mm
CDC.10900L	103x900mm	25	30	85	95	Ø40mm
CDC.101000L	103x1000mm	25	30	85	95	Ø40mm



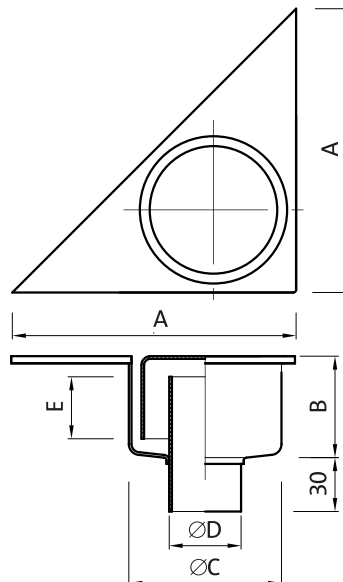
SHOWER WASTE

P.062D



Features

Finish: Sand-blast
Also in reduced height version, option of side discharge.



Item	Principal dimensions (mm)					Discharge flow-rate Lt/min.
	∇A	B	ØC	ØD	E	
P.062D	155	56	85	40	33	12
P.070D	230	75	126	50	33	38

BASIS WITH GRATING COVERS

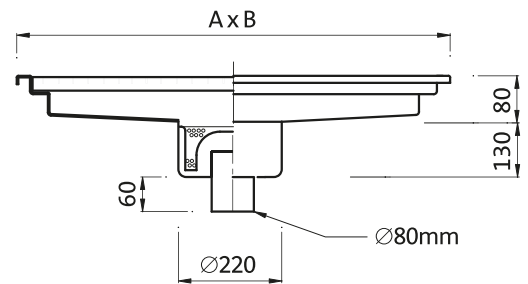
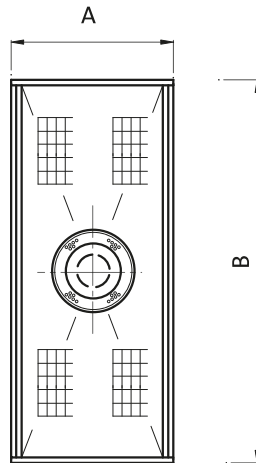
VGR.30100 SV

In AISI 304 (or AISI 316 on request) and made in such a way as to limit the height occupied as much as possible, the completely inspectable discharges, equipped with siphons and filter baskets are perfectly integrated within the channel itself; obviously it is possible to have different sizes from those indicated in the table.

Made especially for the restaurant sector and hence used particularly in kitchens, hotels or large scale distribution meat and fish packing rooms. Being of large size, they allow large quantities of water to be drained, above all, preventing its dispersal over the floor.



VERTICAL DISCHARGE



NOTE:

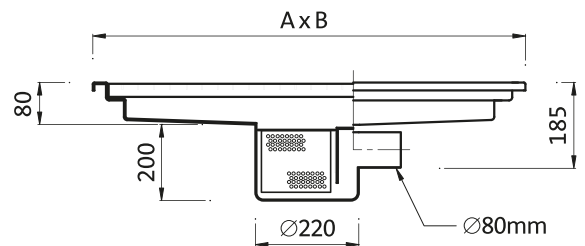
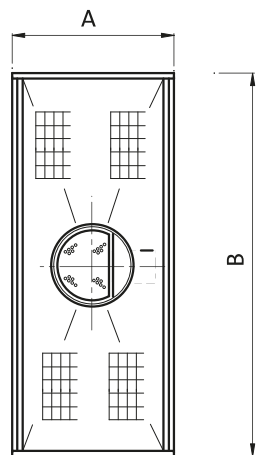
Standard grating covers

Height H=25mm

Mesh 22x33mm.

Also with discharge $\varnothing 50$ - $\varnothing 63,5$ - $\varnothing 76$ mm

HORIZONTAL DISCHARGE



Item	Size. "A" x "B"
VGR.3050	300x500mm
VGR.30100	300x1000mm
VGR.30150	300x1500mm
VGR.30200	300x2000mm
VGR.30300	300x3000mm

Item	Size. "A" x "B"
VGR.4040	400x400mm
VGR.40100	400x1000mm
VGR.40150	400x1500mm
VGR.40200	400x2000mm
VGR.40300	400x3000mm

Item	Size. "A" x "B"
VGR.5050	500x500mm
VGR.50100	500x1000mm
VGR.50150	500x1500mm
VGR.50200	500x2000mm
VGR.50300	500x3000mm

NOTE:

When ordering, after the code specify the extension

SL=horizontal discharge

SV=vertical discharge

e.g.: VGR.30100 SL, VGR. 30100 SV.

CHANNELS SYSTEM WITH GRATING COVERS WIDTH 150 mm.

PC.023

They represent an excellent solution where a channel with a high drainage capacity is called for together with the functionality of a grating cover enabling them to be inspected throughout.

Combined with 300 x 300 mm collection gullies, the same as the PC.001 slot channel systems, they are easily washed and inspected and the aspects of hygiene and cleanliness are provided for in compliance with Community regulations. Protection from sewerage discharge is ensured by an anti-smell siphon and by a removable filter basket.

Constructed in AISI 304 stainless steel (or AISI 316 on request) parameters such as length, height, position of the discharges, can be varied depending on individual requirements.

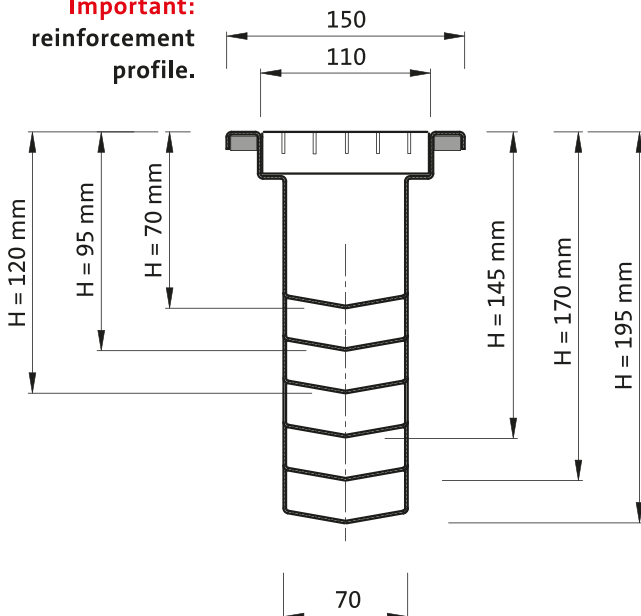
For small supplies, to optimise the transport operations, the various pieces can be assembled into maximum lengths of 4.00 mt.

To facilitate the installation, a drawing will be attached to the material showing a system of numbering for installation of the pieces in the correct sequence.



Main features	
Channel width on the floor	150mm
Inside channel width	70mm
Thickness of material	2mm (3mm on request)
Drainage slope	0,5% (5mm per linear metre)
Minimum height	70mm
Maximum height	195mm (30 metres)
Max. transport length	5.00 mt.
Cramps for anchoring	every 330mm
Flanges with screws	every 5.00 mt.

Important:
reinforcement
profile.



Section of the channel with a sequence of the variation of the slope up to 25.00 mt; the heights are with reference to module lengths of 5.00 MT. From MT. 1,00, MT. 1,50, MT. 2,00, MT. 2,50, MT. 3,00, MT. 3,50, MT. 4,00, MT. 4,50.

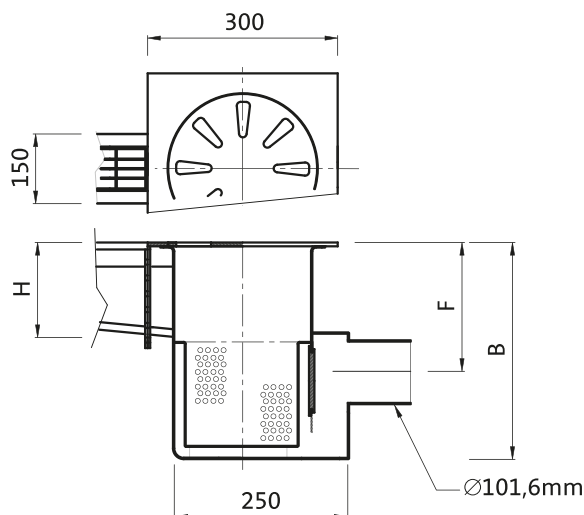
NOTE: Work is regularly carried out with totally personalised lengths taking no account of standard modules.

CHANNELS SYSTEM WITH GRATING COVERS WIDTH 150 mm. HORIZONTAL DISCHARGE

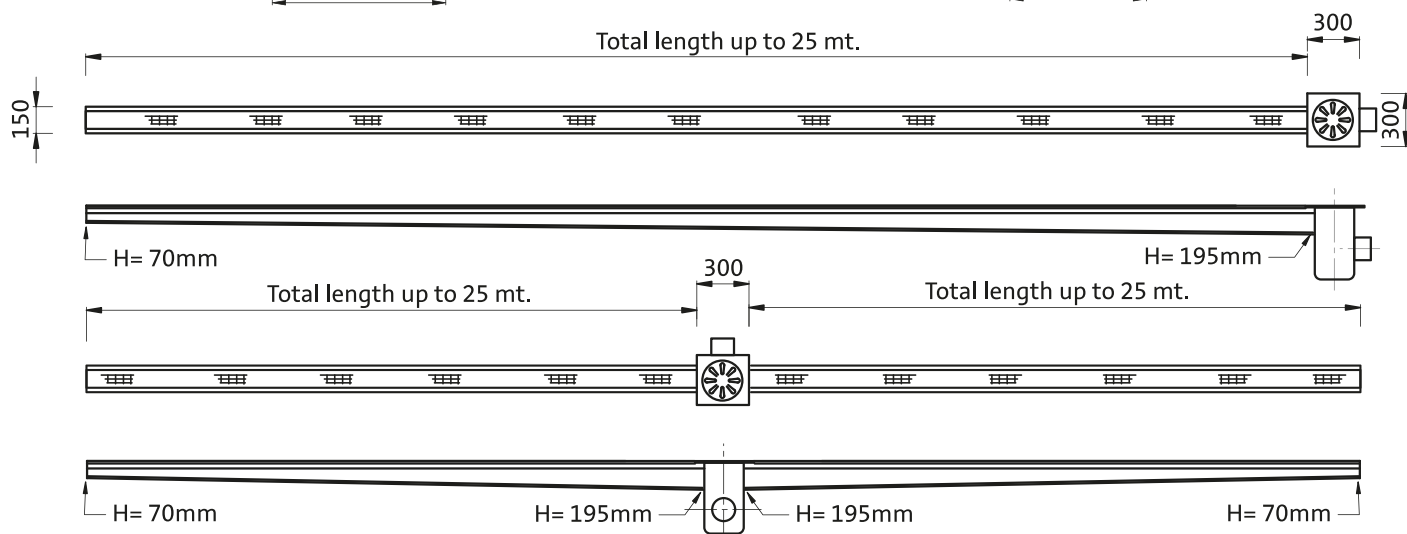
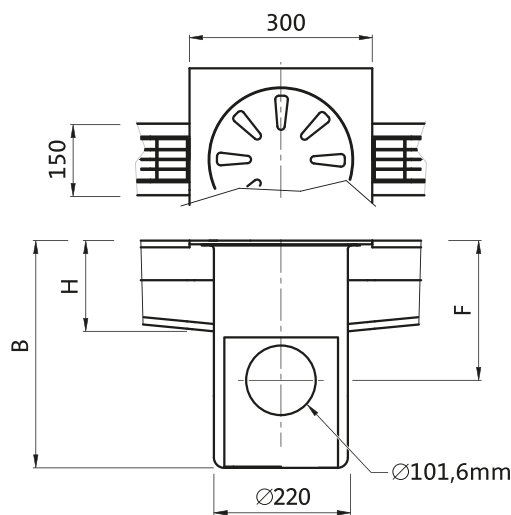


Note:
On request all systems can be fitted with adjustable feet for positioning and height levels.

PC.002GL GULLY WITH SINGLE CONNECTION FOR CHANNEL, HORIZONTAL DISCHARGE.



PC.003GL GULLY WITH DOUBLE CONNECTION FOR CHANNEL, HORIZONTAL DISCHARGE.



Note:
All systems are produced in accordance with the requirements of the customer, hence parameters such as length and position of the discharges are not binding.

Channel length	Channel height "H" on gully	Size "B"	Middle discharge depth "F"
Up to MT. 5,00	95mm	280mm	130mm
From MT. 5 to MT. 10	120mm	305mm	155mm
From MT. 10 to MT. 15	145mm	330mm	180mm
From MT. 15 to MT. 20	170mm	355mm	205mm
From MT. 20 to MT. 25	195mm	380mm	230mm

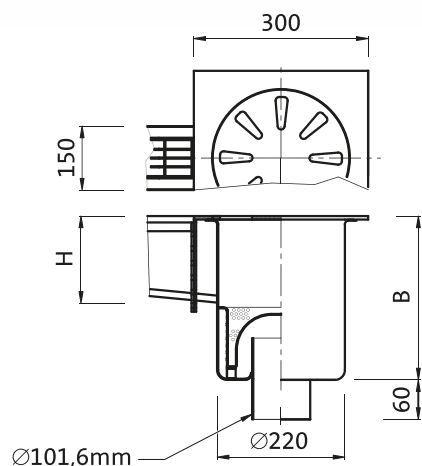
CHANNELS SYSTEM WITH GRATING COVERS WIDTH 150 mm. VERTICAL DISCHARGE



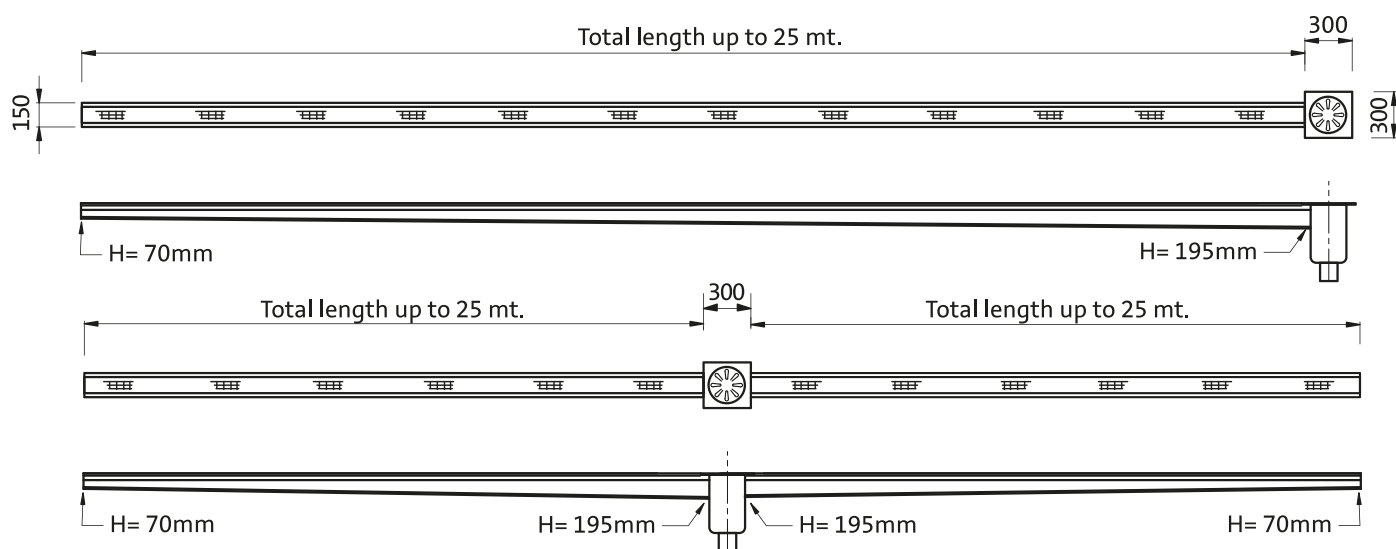
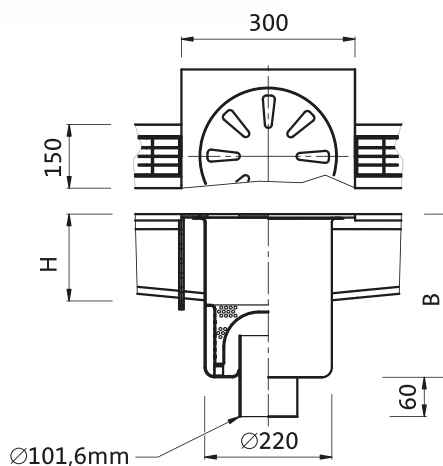
Note:

On request all systems can be fitted with adjustable feet for positioning and height levels.

PC.002GV GULLY WITH SINGLE CONNECTION FOR CHANNEL, VERTICAL DISCHARGE.



PC.003GV GULLY WITH DOUBLE CONNECTION FOR CHANNEL, VERTICAL DISCHARGE.



Note:

All systems are produced in accordance with the requirements of the customer, hence parameters such as length and position of the discharges are not binding.

Channel height	Channel height "H" on gully	Size "B"
Up to MT. 5,00	95mm	265mm
From MT. 5 to MT. 10	120mm	290mm
From MT. 10 to MT. 15	145mm	315mm
From MT. 15 to MT. 20	170mm	340mm
From MT. 20 to MT. 25	195mm	365mm

CHANNELS WITH GRATING COVERS

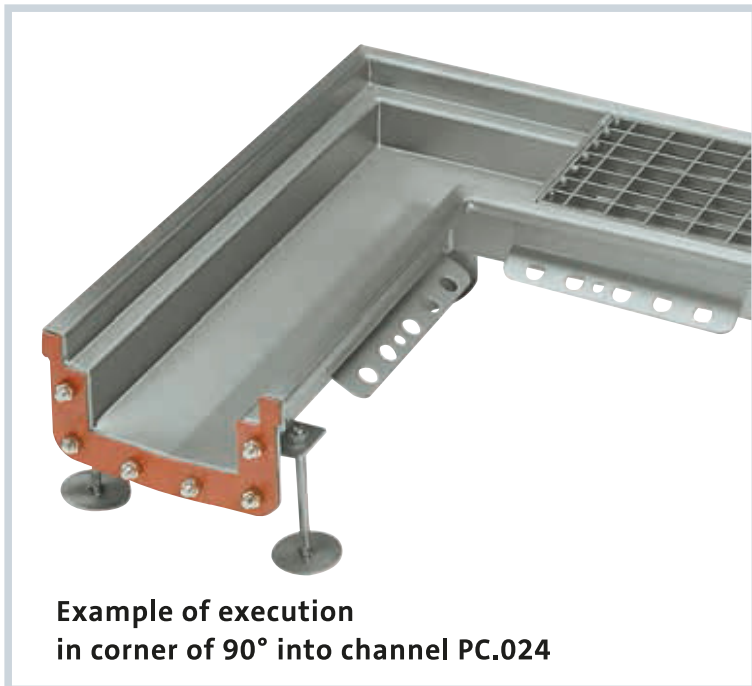
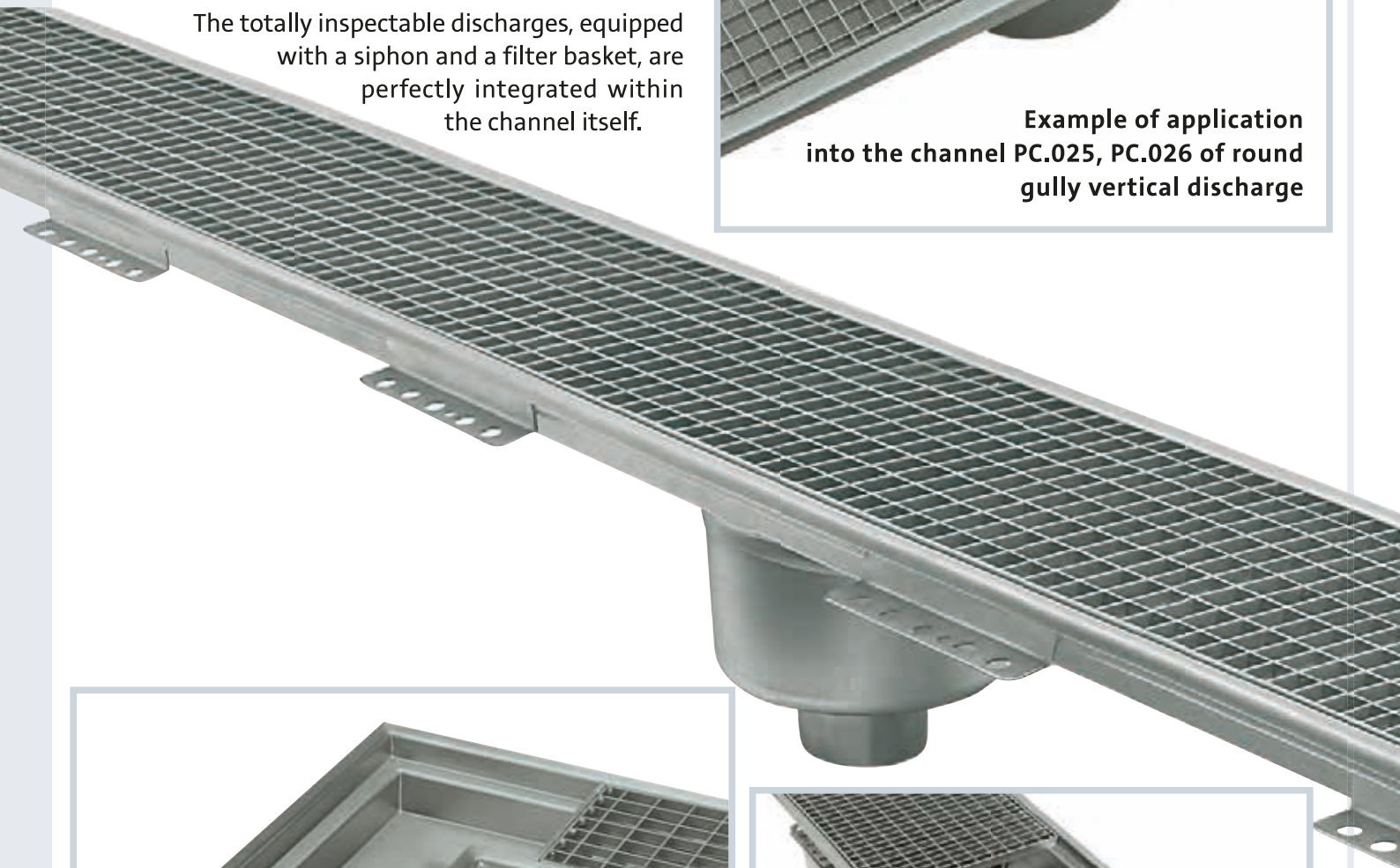
The "Leoni" channels with grating covers are particularly recommended in instances where there is a need for draining large quantities of water relatively quickly; in fact it is possible to combine these items with very large size discharges.

Constructed in AISI 304 stainless steel (or AISI 316 on request) parameters such as length, height, position of the discharges and the flow-rate of the grating covers can be varied depending on individual requirements.

The totally inspectable discharges, equipped with a siphon and a filter basket, are perfectly integrated within the channel itself.



Example of application into the channel PC.025, PC.026 of round gully vertical discharge



Example of execution in corner of 90° into channel PC.024



Large capacity collecting well with separate collection of light and heavy solid residues

In the event that the supply is for large quantities the various modules can be supplied in lengths of 6.00 mt.

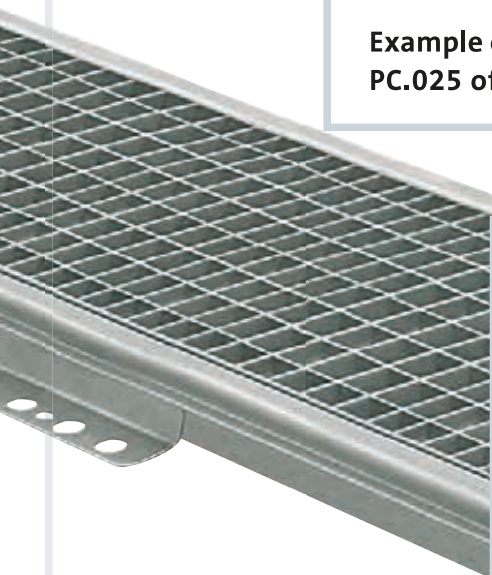
The assembly of the various gullies and the channels is provided for by means of flanges with silicon seals that are secured with bolts to ensure that they remain water-tight.

For small supplies, to optimise the transport operations, the various pieces can be assembled into maximum lengths of 4.00 mt.

To facilitate the installation, a drawing will be attached to the material showing a system of numbering for installation of the pieces in the correct sequence.



Example of application into the channel PC.024, PC.028, PC.026, PC.025 of square gully horizontal outlet.



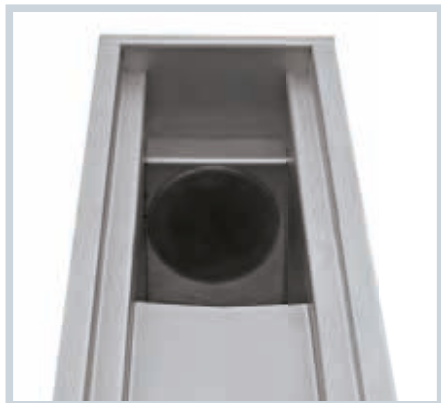
CHANNELS WITH GRATING COVERS

PC.024 HORIZONTAL DISCHARGE

PC.028

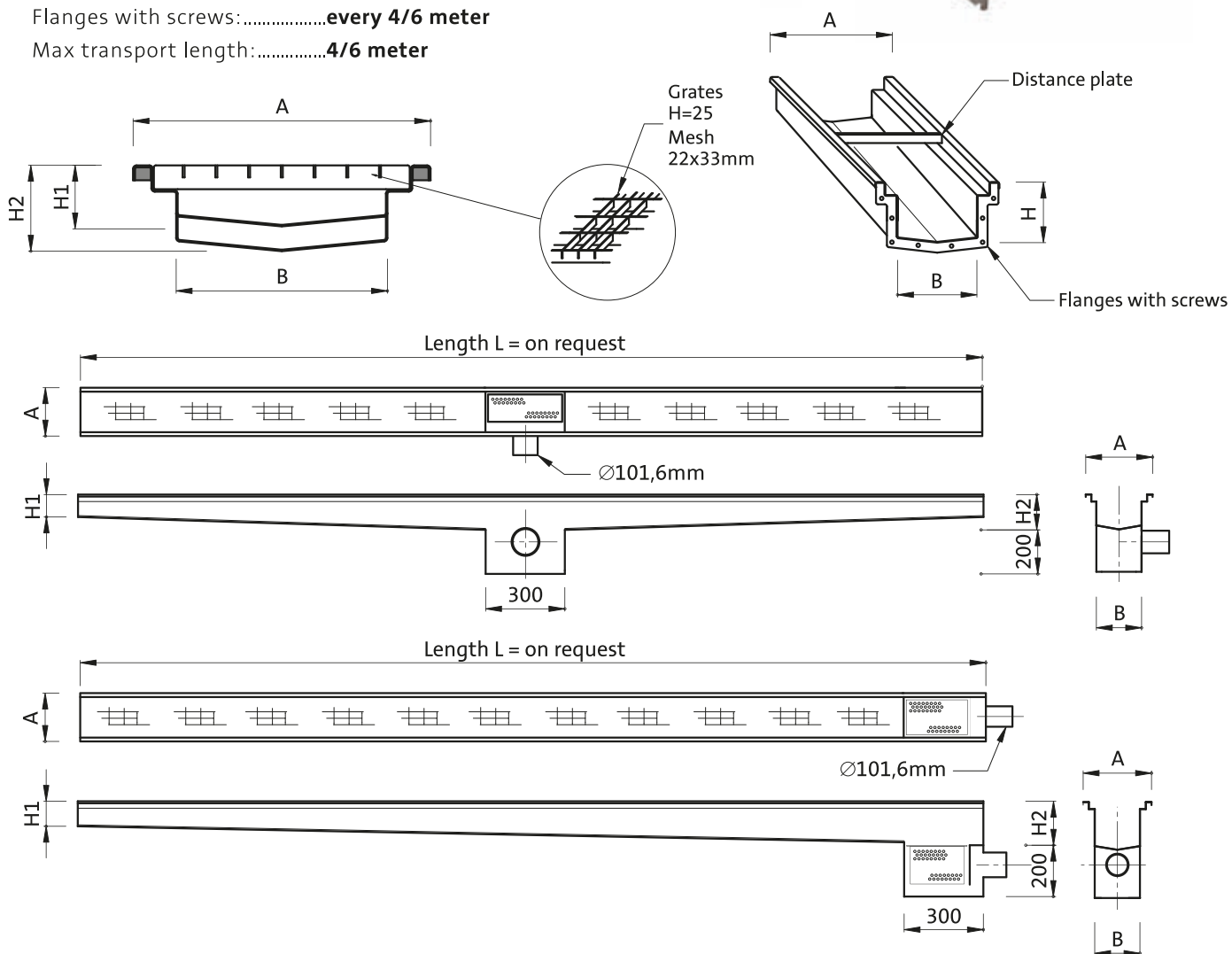
PC.025

PC.026



Main Features

- Thickness channels:2 mm (3 mm on request)
- Standard grates:Height H=25 mm, mesh 22x33 mm
- Integrated slope:8 mm per running meter
- Flanges with screws:every 4/6 meter
- Max transport length:4/6 meter



Note:

All systems are produced in accordance with the requirements of the customer, hence parameters such as length and position of the discharges are not binding.

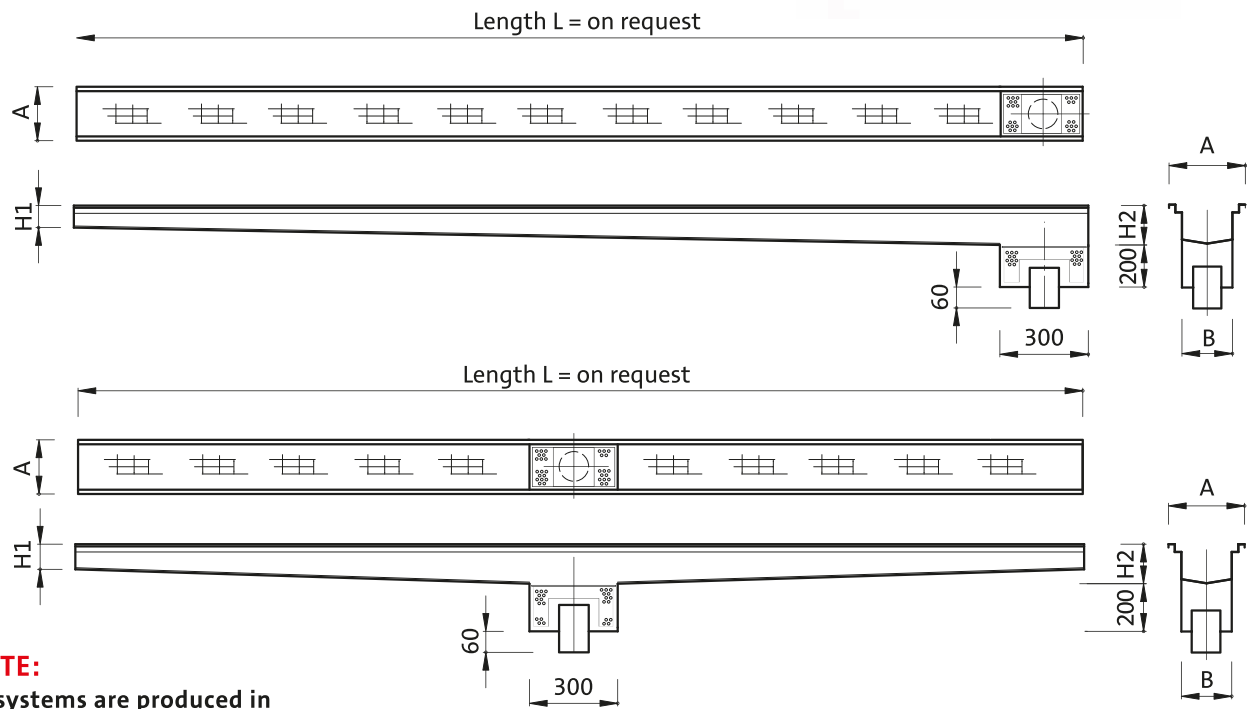
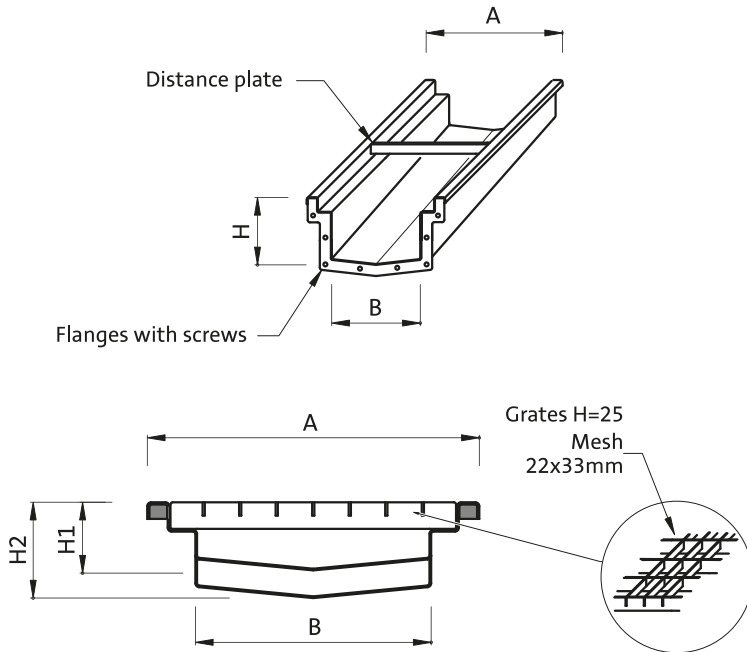
Main measurements					
Item	Size "A"	Size "B"	Height "H1"	Height "H2"	Length "L"
PC.024	200mm	120mm	60mm	H1 + 8mm/MT. Per running meter	On request
PC.028	250mm	170mm	60mm		On request
PC.025	300mm	220mm	60mm		On request
PC.026	400mm	320mm	60mm		On request

PC.024 VERTICAL DISCHARGE

PC.028

Main Features

- Thickness channels:.....**2 mm (3 mm on request)**
- Standard grates:.....**Height H=25 mm, mesh 22x33 mm**
- Integrated slope:.....**8 mm per running meter**
- Flanges with screws:.....**every 4/6 meter**
- Max transport length:.....**4/6 meter**



NOTE:

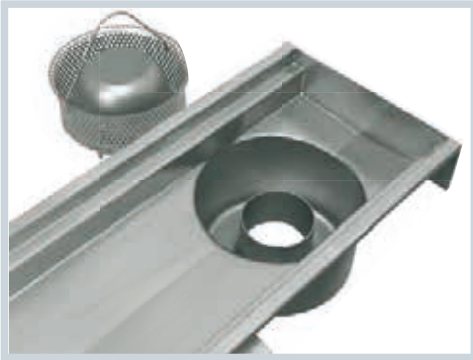
All systems are produced in accordance with the requirements of the customer, hence parameters such as length and position of the discharges are not binding.

Main measurements					
Item	Size "A"	Size "B"	Height "H1"	Height "H2"	Length "L"
PC.024	200mm	120mm	60mm	H1 + 8mm/MT. Per running meter	on request
PC.028	250mm	170mm	60mm		on request

CHANNELS WITH GRATING COVERS

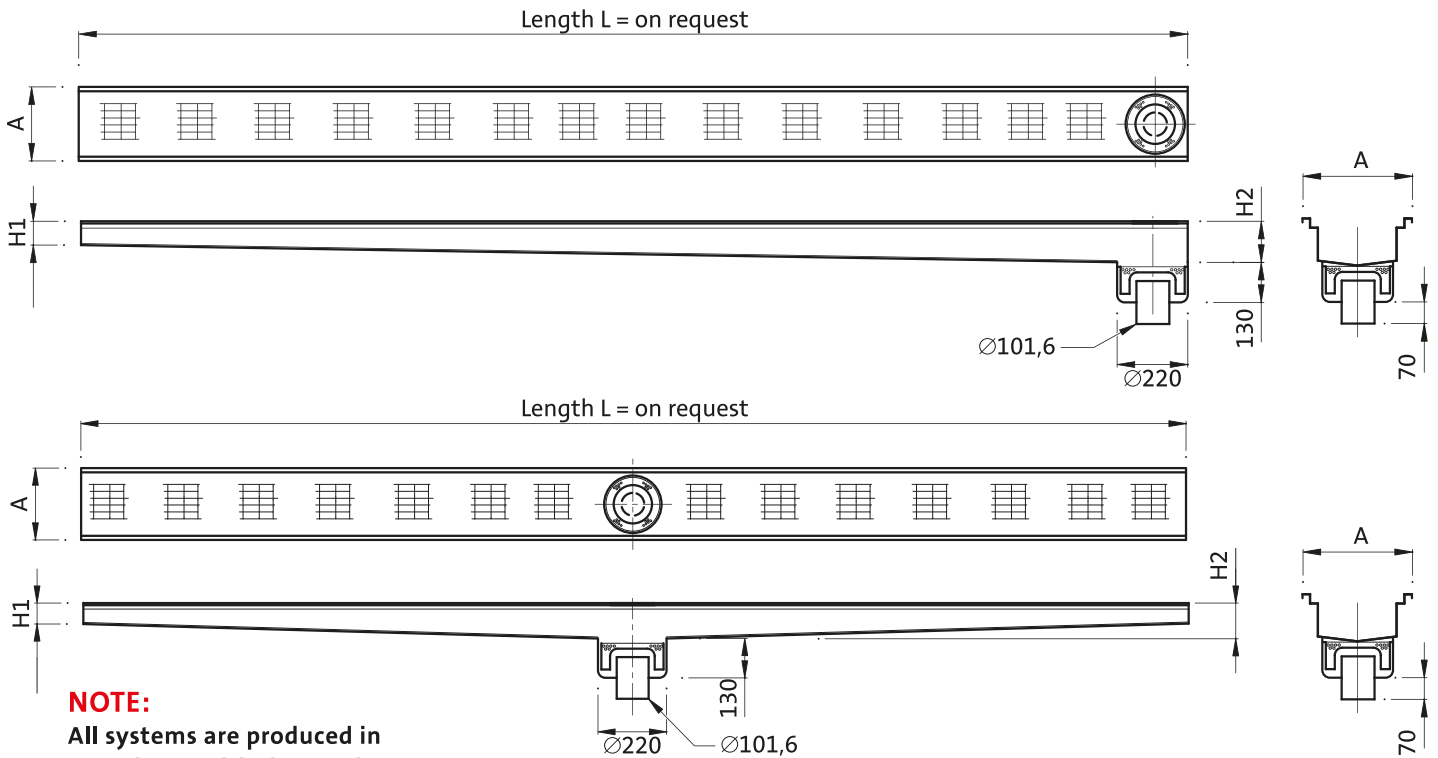
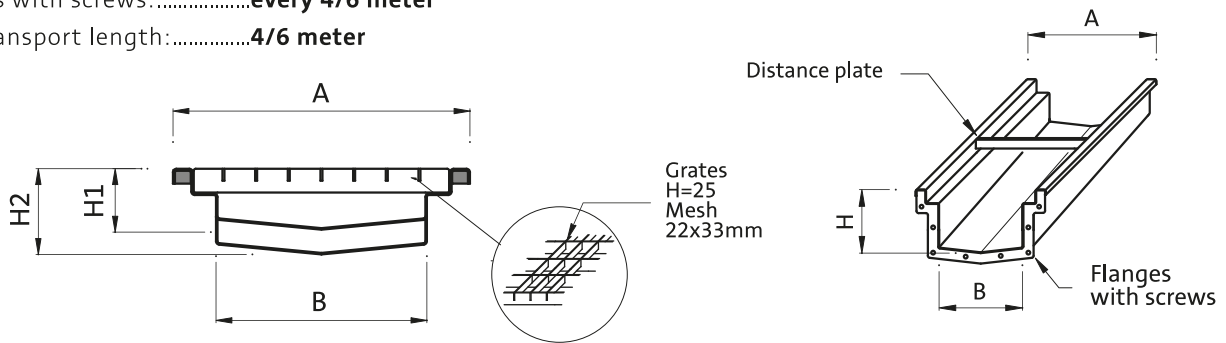
PC.025 VERTICAL DISCHARGE

PC.026



Main Features

- Thickness channels:.....2 mm (3 mm on request)
- Standard grates:.....Height H=25 mm, mesh 22x33 mm
- Integrated slope:.....8 mm per running meter
- Flanges with screws:.....every 4/6 meter
- Max transport length:.....4/6 meter



NOTE:
All systems are produced in accordance with the requirements of the customer, hence parameters such as length and position of the discharges are not binding.

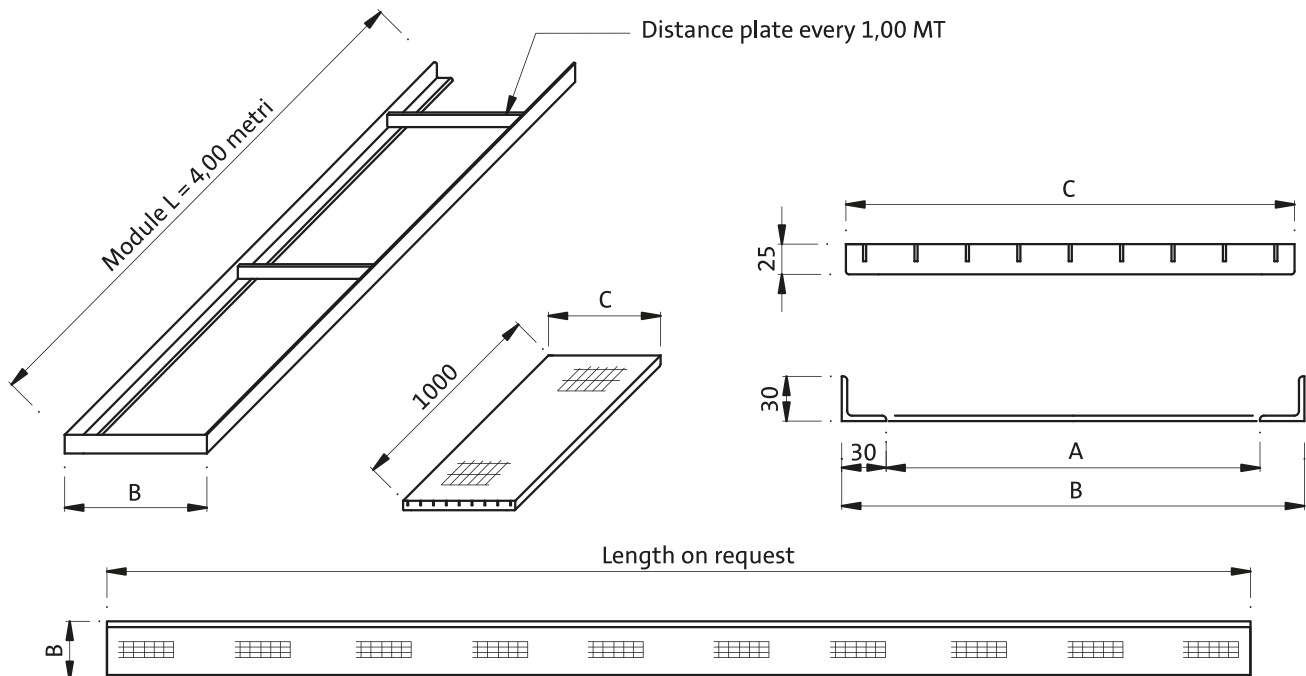
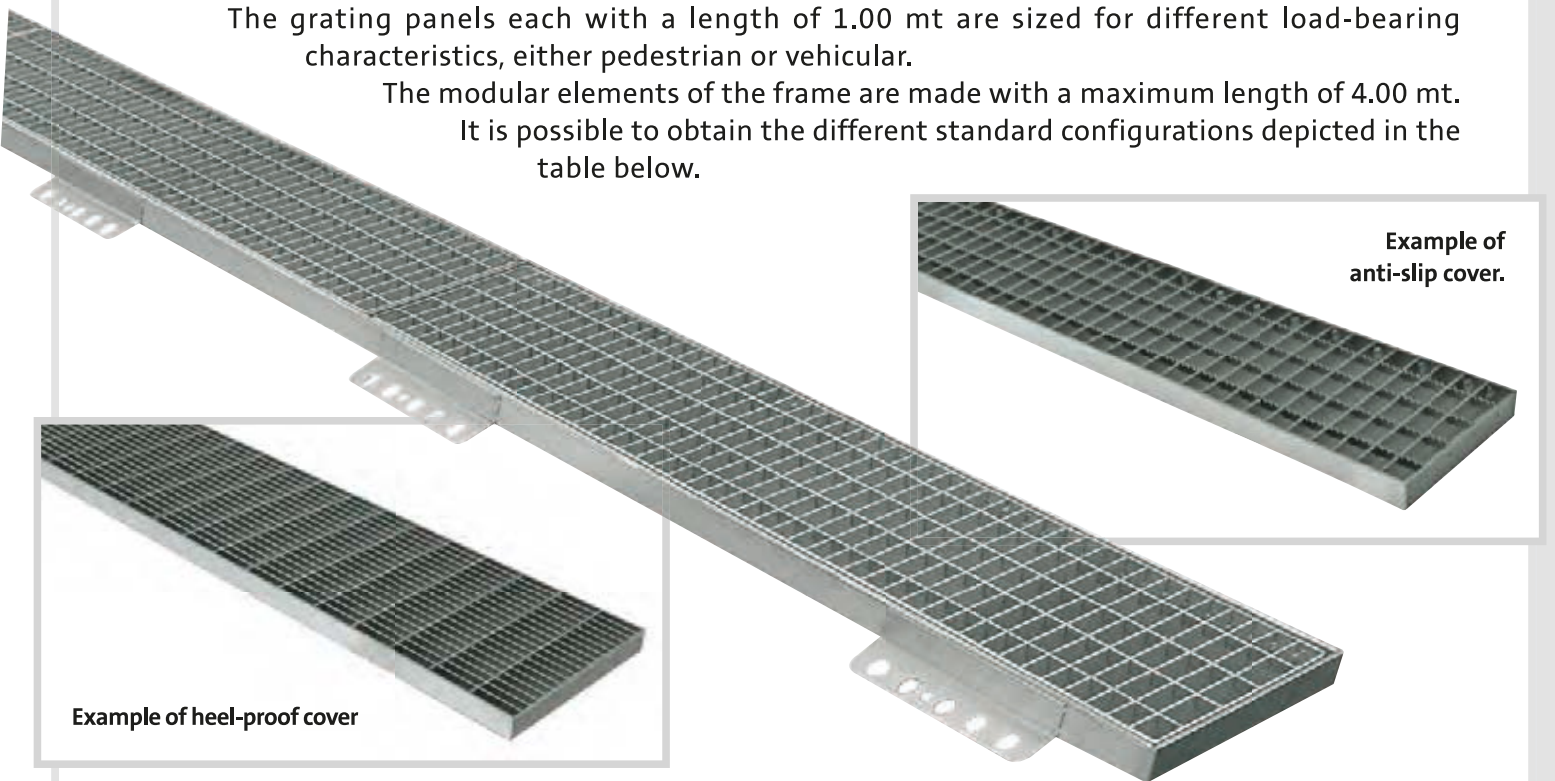
Main measurements					
Item	Size "A"	Size "B"	Height "H1"	Height "H2"	Length "L"
PC.025	300mm	220mm	60mm	H1 + 8mm/MT. Per running meter	on request
PC.026	400mm	320mm	60mm		on request

ANGLE FRAME WITH GRATING COVERS

Used in situations in which there is a need for a drainage channel with a grating panel surface resting on an angular frame, with inside channel width usually in concrete. Constructed in AISI 304, they are used particularly in exterior situations such as courtyards and forecourts.

The grating panels each with a length of 1.00 mt are sized for different load-bearing characteristics, either pedestrian or vehicular.

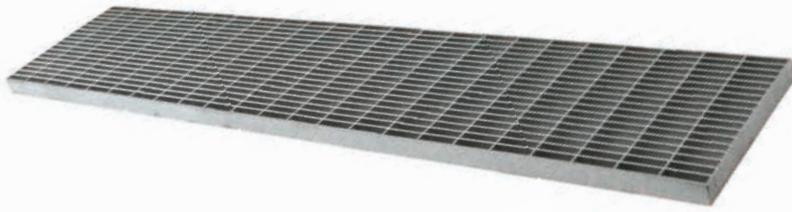
The modular elements of the frame are made with a maximum length of 4.00 mt. It is possible to obtain the different standard configurations depicted in the table below.



NOTE:
Available with anti-slip, heel-proof panels.

Standard dimensions			
Item	Size "A"	Size "B"	Size "C"
TGR.150	61mm	121mm	108mm
TGR.200	108mm	168mm	155mm
TGR.250	158mm	218mm	205mm
TGR.300	208mm	268mm	255mm
TGR.400	308mm	368mm	355mm

GRATING COVERS FOR CHANNELS (non standard)



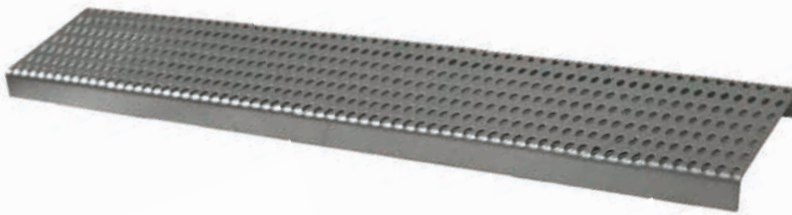
Heel-proof version grating panel

NOTE: Medium suitability for vehicles for all models.



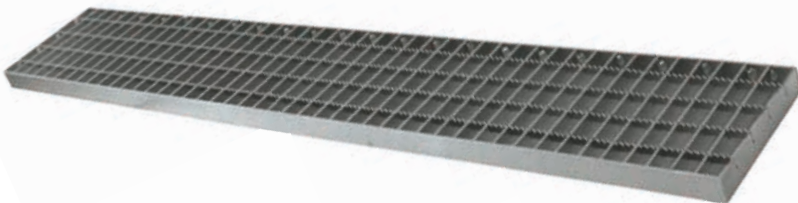
Panel in textured heavy duty sheet metal with slots and reinforcements in heel-proof plate

NOTE: Good suitability for vehicles for all models.



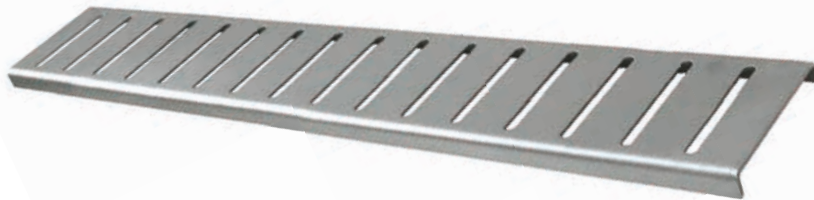
Panel in perforated sheet metal normally used with PC 023

NOTE: Not suitable for vehicles



Grating panel with anti-slip grooves

NOTE: For all models



Slotted panel in heavy duty sheet steel particularly for PC 023 - PC 024



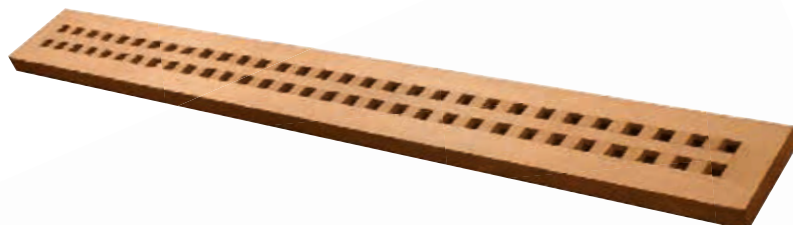
Flat bar panel

NOTE: Excellent suitability for vehicles for all models

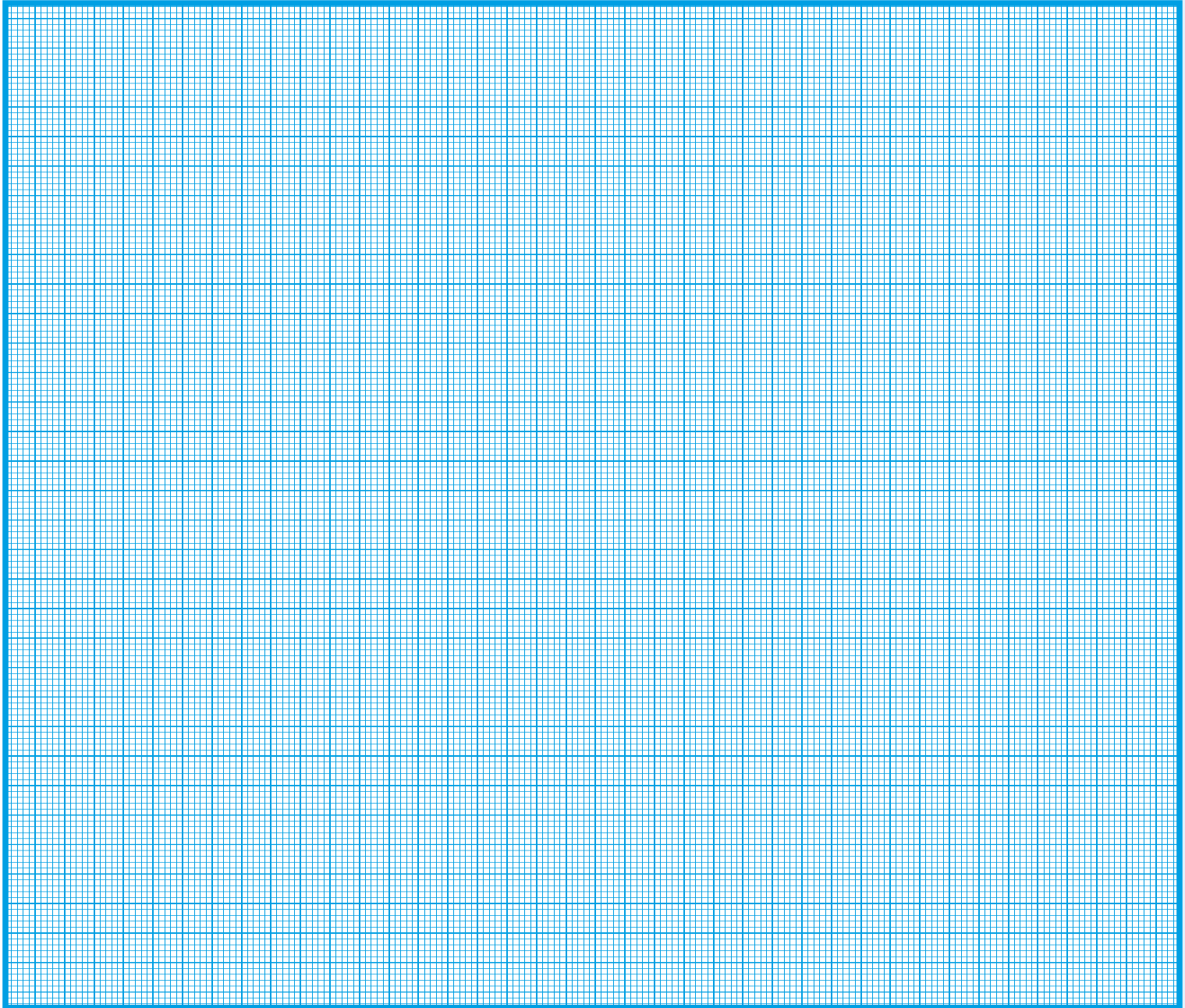


Heavy duty plate panel + square section bar reinforcements.

Particularly for PC 023 - PC 024. Excellent suitability for vehicles



Cover in Tek, mainly for channels in shower and pool areas.



Inox pipes main diameter

External diameter (mm) X thickness (mm)

D. 33,7 X 2

D. 80 X 2

D. 40 X 2

D. 88,9 X 2

D. 42,4 X 2

D. 101,6 X 2

D. 48,3 X 2

D. 110 X 2

D. 50 X 2

D. 114,3 X 2

D. 52 X 2

D. 129 X 2

D. 54 X 2

D. 139,7 X 2

D. 60,3 X 2

D. 154 X 2

D. 63,5 X 2

D. 168,3 X 2

D. 75 X 2

D. 204 X 2

D. 76,1 X 2

D. 219,1 X 2



Agent

Officina Meccanica LEONI s.a.s. di Riccardo Leoni e C.

Via Caduti del Lavoro, 4 - 43058 Bogolese di Sorbolo - PARMA - ITALIA

Tel. +39 0521 604320/604085 - Fax +39 0521 604300

Reg. soc. Trib. PR 21970 - C.C.I.A.A. 177046 - P. IVA IT 01768010348

e-mail: info@leoniparma.it - web: www.leoniparma.it