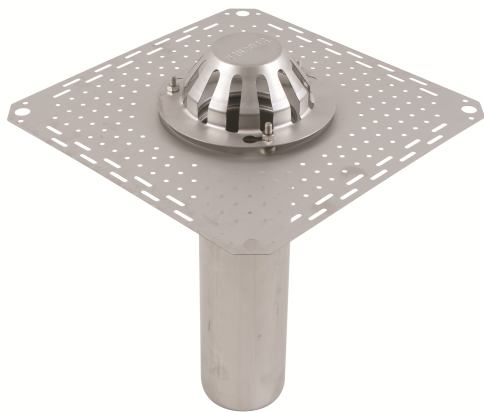


Data sheet

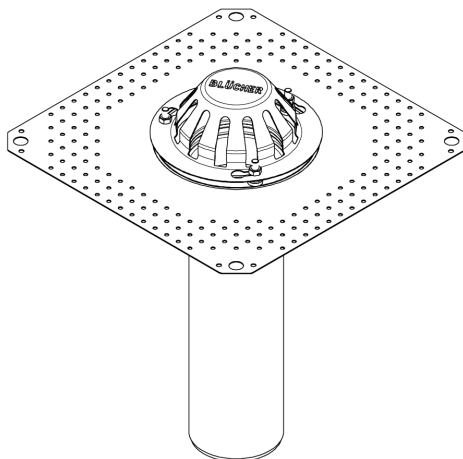
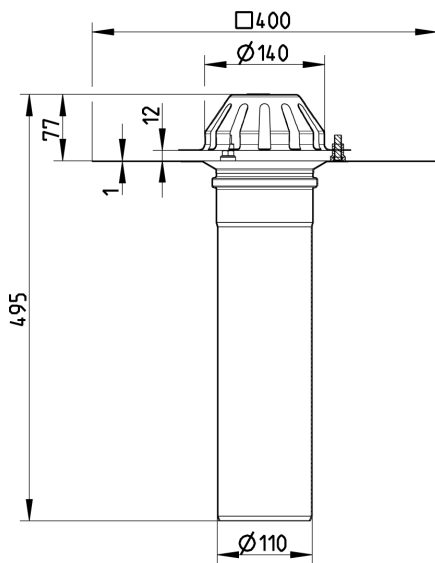


ROOF DRAIN FOR GRAVITY
 - Roof: bitumen
 - Flange: 400x400mm
 - Outlet: Ø110mm, vertical
 - Stainless steel: AISI304/EN1.4301

DATA

Type no.: 401.104.110
 EAN no.: 5705499132755
 VVS no.: 164100110
 RSK no.: 5173693
 NRF no.:
 LVI no.: 3384520

Type: Standard
 Roof: Bitumen
 System: Gravity
 Outlet direction: Vertical
 Outlet dia. (mm): 110
 Weight (kg): 2,31
 Material: AISI 304
 Material: EN 1.4301



Approvals

DE - LGA Certificate 57214035 d
 DK - VA 2.99/19975-17
 NO - PS1893-ROOF-18
 PL - Hygienic Certificate - All products