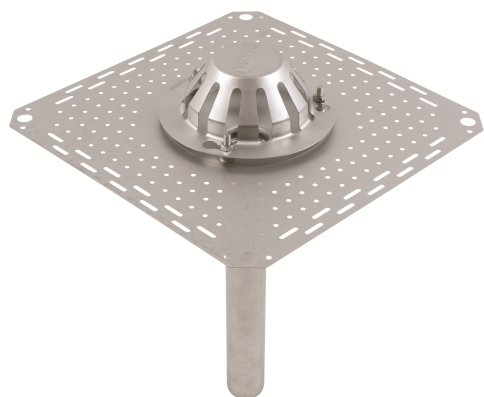


## Data sheet

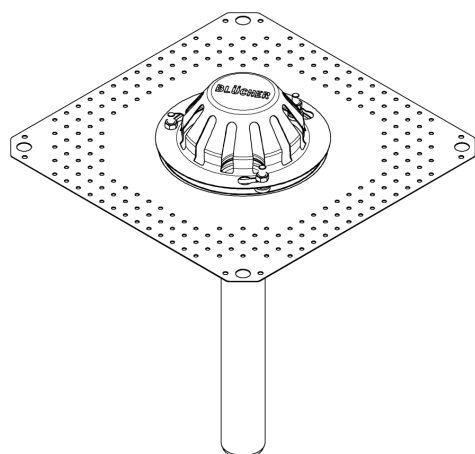
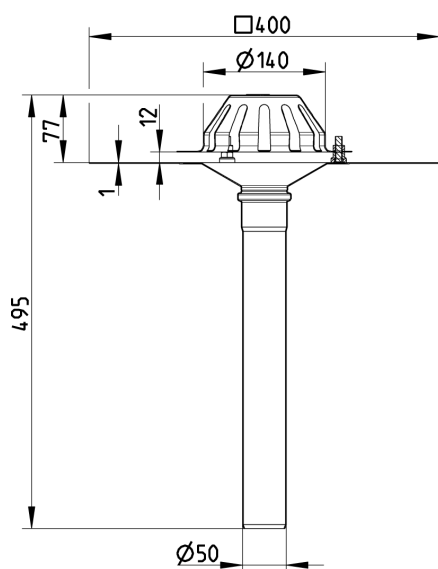


ROOF DRAIN FOR GRAVITY  
 - Roof: bitumen  
 - Flange: 400x400mm  
 - Outlet: Ø50mm, vertical  
 - Stainless steel: AISI304/EN1.4301

### DATA

Type no.: 401.104.050  
 EAN no.: 5705499132731  
 VVS no.: 164100050  
 RSK no.: 5173691  
 NRF no.:  
 LVI no.: 3384518

Type: Standard  
 Roof: Bitumen  
 System: Gravity  
 Outlet direction: Vertical  
 Outlet dia. (mm): 50  
 Weight (kg): 1,72  
 Material: AISI 304  
 Material: EN 1.4301



### Approvals

DE - LGA Certificate 57214035 d  
 DK - VA 2.99/19975-17  
 NO - PS1893-ROOF-18  
 PL - Hygienic Certificate - All products