

Benefits


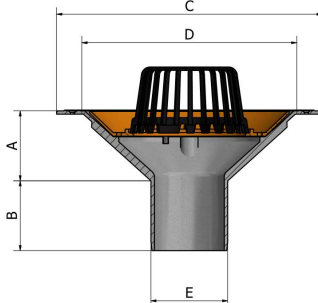
- **Comprehensive range** of roof outlets that are suitable for use with all waterproofing systems.
- **Durable and frost resistant** - Manufactured from LM6 marine grade aluminium, means that each unit is extremely durable and will never rust or become brittle.
- **High Performance** - Each outlet has been hydraulically engineered to achieve industry leading drainage performance.
- **Simple installation** – Outlets are set into the roofing deck and waterproofing dressed into the outlet body. The mechanical clamps are then tightened down in place, over the waterproofing, providing a secure leak free seal.

Flow Performance

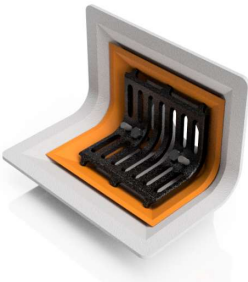
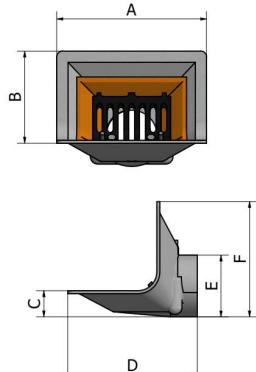
Description	Spigot Size (mm)	Part Code	Drainage Capacity (l/s)
Vertical spigot roof outlet – Dome grate	50	AG50VD	4.5
	60	AG60VD	4.5
	75	AG75VD	5
	110	AG110VD	10.7
Parapet wall outlet	82	AG82PT	2*

* Greater performance can be achieved if set within a sump or internal gutter.

Vertical Spigot Roof Outlets – Dome Grate

		Code	Pipe Size	A	B	C	D	E
		AG50VD	50	92	108	300	250	50
		AG60VD	60	92	108	300	250	60
		AG75VD	75	92	108	300	250	75
		AG110VD	110	100	100	380	305	110
Vertical connection roof outlet manufactured in LM6 aluminium. Suitable for connection to PVC, HDPE and cast iron pipework.								

Parapet Wall Outlet

		Code	Pipe Size	A	B	C	D	E	F
		AG82PT	82	252	155	44	218	104	194
Horizontal connection roof outlet manufactured in LM6 aluminium. Threaded adaptor required for connection. Suitable for connection to PVC, HDPE and cast iron pipework.									

*All dimensions shown are in mm